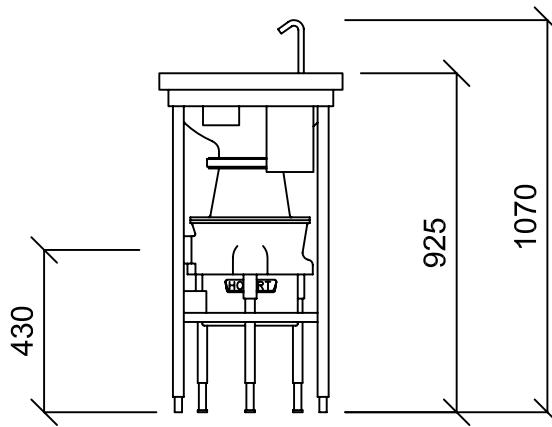
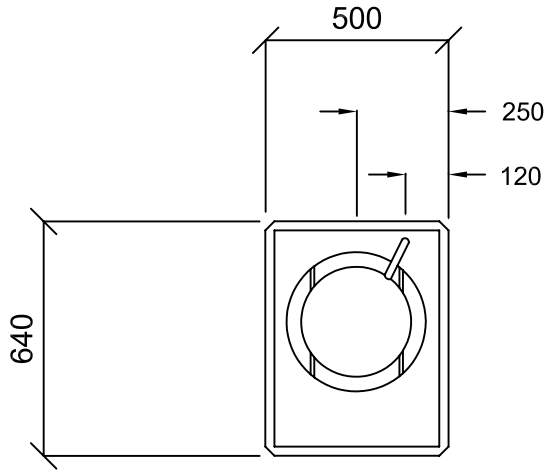


FREE STANDING WASTE DISPOSAL UNIT  
400/50/3 + N  
FD3-150T-3



400/50/3 + N 1.1kW FUSE AT 10AMPS/PHASE  
WATER - 3/4" B.S.P 30°C MAX USAGE 36 LITRES/MINUTE TO GOOSE NECK  
VIA SOLENOID ON WDU  
DRAIN - 2" B.S.P. THROUGH TRAP AND DRAIN (NOT BY HOBART) - MUST NOT GO THROUGH  
A GREASE TRAP

