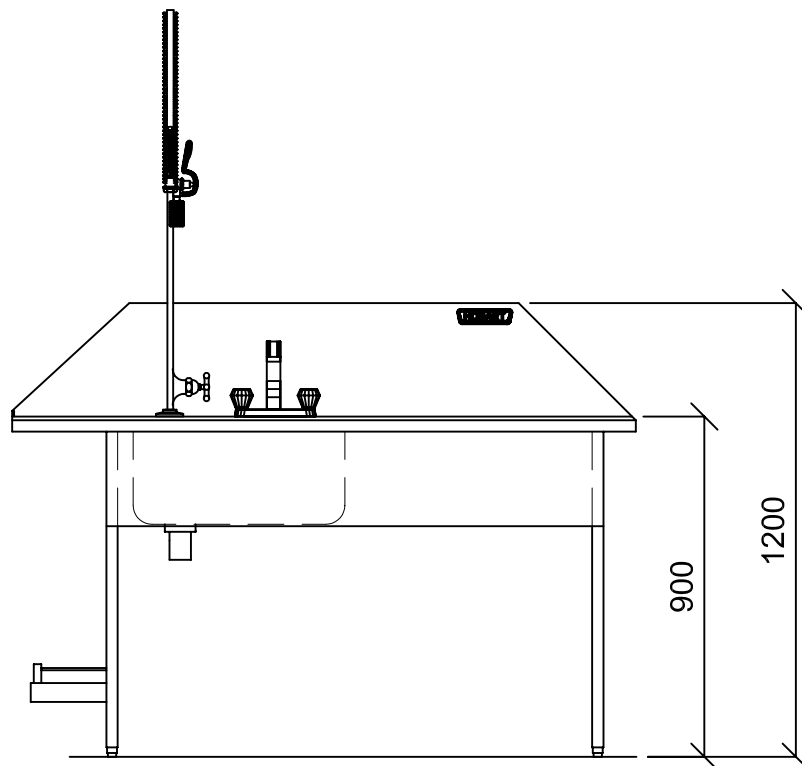
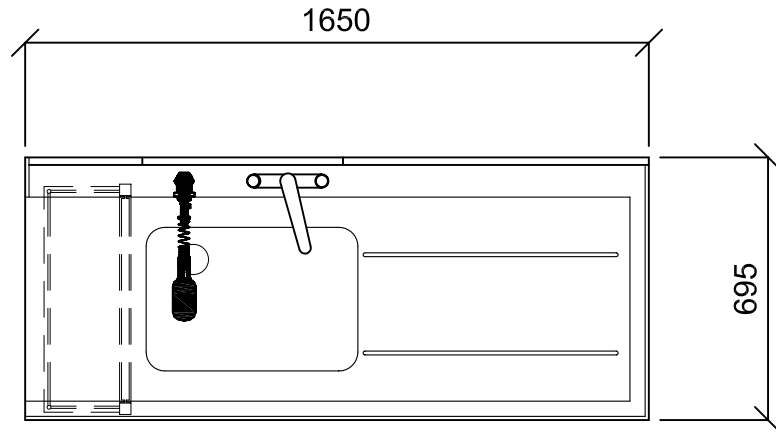


PREMIUM INLET TABLING HOD1650R/L

COMPRISING 560 x 380 x 250m.m. SINK BOWL, SWIVEL MIXER TAP, OVERHEAD SPRAY, FULL LENGTH SPLASHBACK, PROFILED BOXED EDGE, VALANCE, DETERGENT SHELF AND PANELLED LEG FRAME



WATER:- 22m.m. HOT AND COLD
OVERHEAD SPRAY REQUIRES 2 BAR MINIMUM
DRAIN:- 1.5" B.S.P.

