



The benchmark for quality and innovation



Dishwashers

Thermal Disinfection

Redefining the Industry Standard for Dishwashing

The FXTDS delivers spotlessly clean results at temperatures that exceed the guidelines for Thermal Disinfection using unique pressure-less steam technology.

Standard features include:

- Fully automatic integral water softener – prevents scale deposits in the steam booster and wash chamber
- 'Intesiv' three stage washing process – Genius X_ active filter system provides pre-wash, wash & rinsing functions!
- 'Ecotherm' wash tank heating – guaranteed wash temp over 63°C for optimised washing efficiency
- 'Accurinse' low volume cold rinse – just 2.8ltrs per cycle combined with compact 10.8ltr wash tank reduces operating costs by up to 30%!
- 'Smartronic' control – single button operation with colour cycle status indication and low salt warning.
- Strainer/filter recognition – prevents operation if filters are not in place
- Integral drain pump and integral rinse booster pump for ease of installation
- Accurate detergent dosing system
- Large salt reservoir – up to 500 cycles @ 20°dH hardness
- Automatic self-flushing cycle when draining
- Easily removable, one piece, anti-block wash and rinse arms
- Fluid category 5 Class 'AB' type air gap
- Flexible hoses for connection to services
- 1 x plate rack, 1 x open rack & 1 x 4 compartment cutlery basket

Easy to use

A dishwasher should be easy to use and customers tell us that having simple, understandable controls is of key importance – FXTDS delivers on both counts by offering:

SMARTRONIC

- Single button activation for filling, cycle start and draining
- Colour coded sequence gives clear indication of machine and cycle status
- Additional functions eg. cycle selection and temperature indication can be accessed as required
- Less risk of incorrect operation and misuse
- Cycle status indicator

Easy to clean

- Rounded corners and minimal components eliminate dirt traps
- Prior to shutdown an automatic flushing drain cycle rinses the machine
- Pump intake protection prevents ingress of foreign objects



FXTDS



CYCLE STATUS INDICATOR

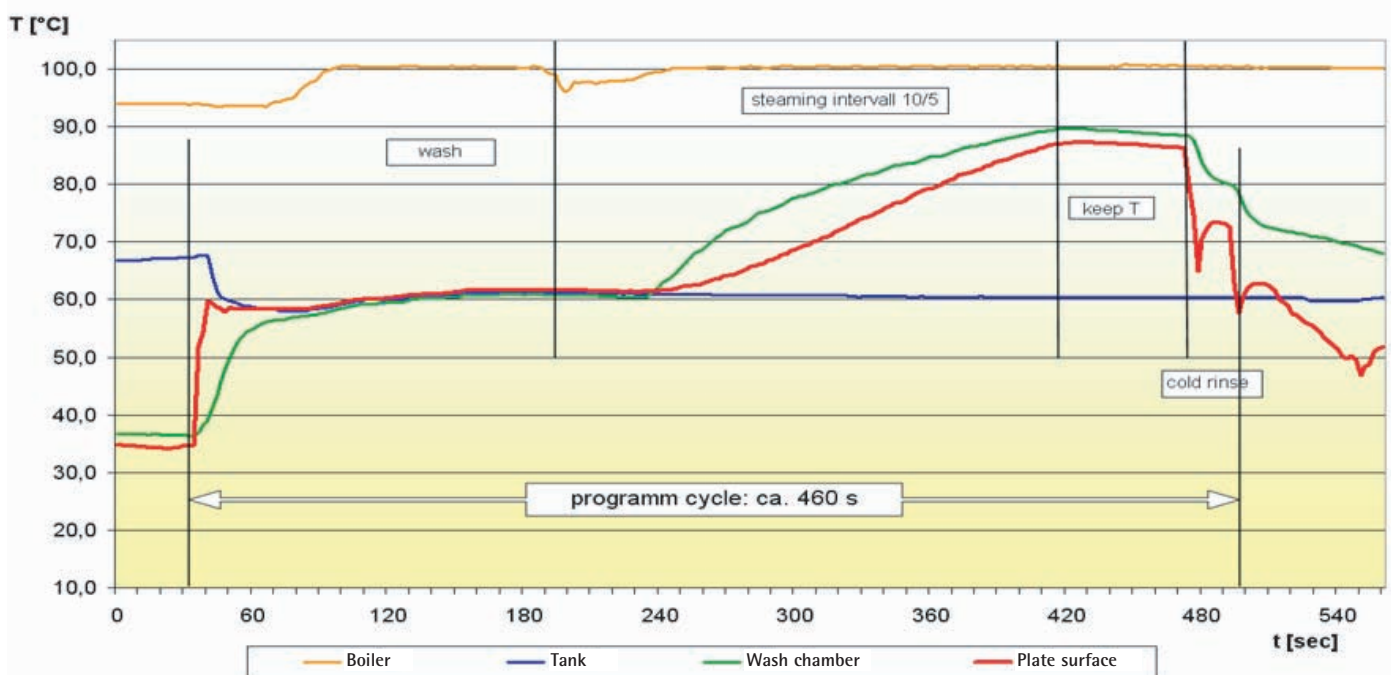


MINIMAL ITEMS REMOVABLE FOR CLEANING

Thermal Disinfection

The 8 minute cycle ensures thorough cleaning and disinfection of every item, achieving a minimum of 80°C on the contact surface for 2 minutes.

1. Intensive wash cycle with steam injection – maintained 63°C wash
2. Steam cycle - pulsed steaming until chamber reaches 90°C
3. 1 minute cycle hold with chamber at over 90°C
4. Cold rinse cycle - to cool down plate temp. for safe handling
5. Steam condenses inside chamber
6. Cycle completed



Double racking

With a chamber height of 425mm and using Hobart stacking racks, you can halve the number of wash cycles and the time taken to wash up.



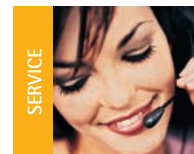
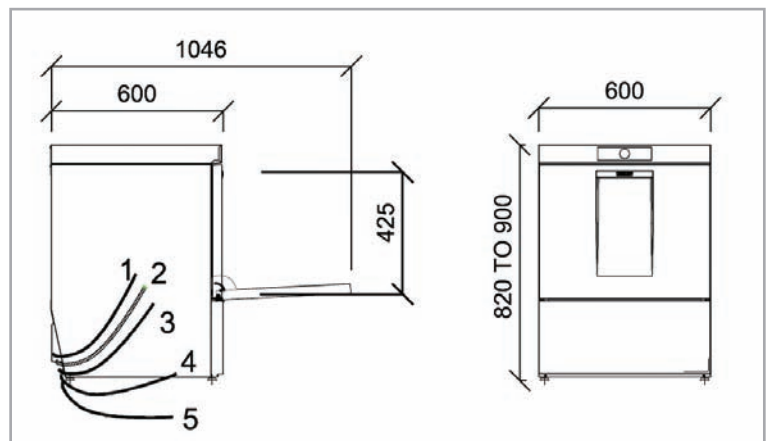
DOUBLE RACKING

FXTD Undercounter Dishwasher Technical Information



The benchmark for quality and innovation

MODEL		FXTD
WATER	Water Connection	3/4" BSP
	Water Pressure	0.6-6.0 Bar
	Water Temperature (max)	10°C
	Water Consumption Per Cycle	4 Litres
	Wash Tank Volume	10.8 litres
	Supply Hose Length	2000mm
WASTE	Drain Outlet (pumped)	28mm diameter
	Drain Hose Length	2000mm
ELECTRIC	Electrical Loading	7.7kW (3 x 16 Amp)
	Switchable To	5.6kW (1 x 25 Amp)
	Pump Rating	0.6kW
OTHER	Power Cable Length	2000mm
	Detergent Hose Length	2500mm
	Programme (secs) P01	480
	Rack Size	500 x 500mm
	Machine Dims (wxdxh)	600 x 600 x 820mm
	Machine Weight	87 Kg
	Noise Level	63dB
	Supplied As Standard With	1 x Plate Rack 1 x Open/Cup Rack 1 x Cutlery Basket



The benchmark for quality and innovation

0844 888 7777

Hobart UK, 51 The Bourne, Southgate, London N14 6RT. Fax No. 020 8886 0450
www.hobartuk.com