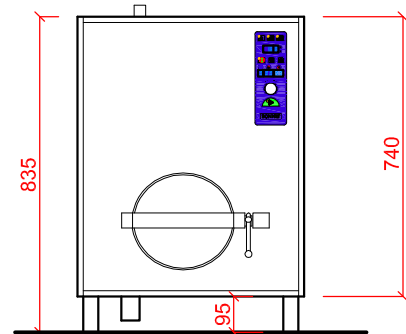
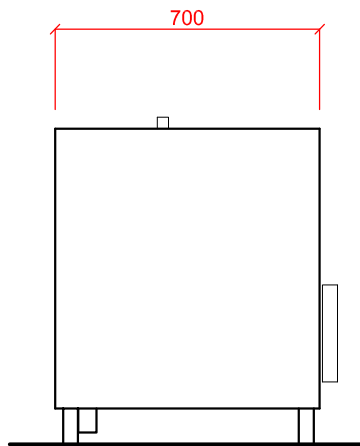
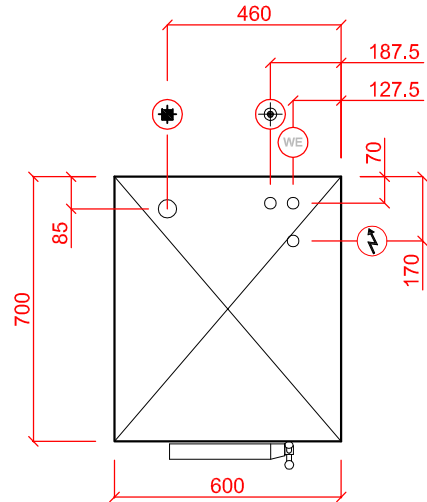
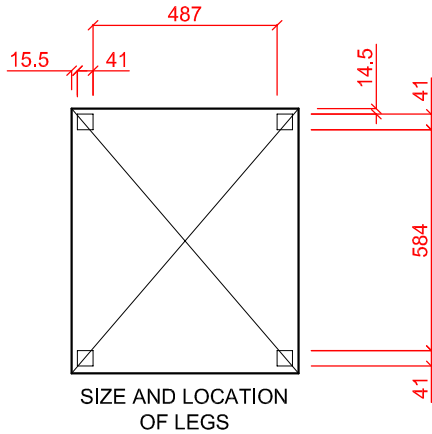


PRESSURE STEAMERS

205GB-10



ALL SERVICES ENTER FROM BELOW UNIT

Device Number	Description	Electric Loading	Dimensions (mm.) (w x d x h)
205GB-10	Pressure Steamer single chamber to suit 1 x 1/2 GN pan 100mm. deep.	400/50/3 + N + E 18.0kW (switchable to 9kW) Fuse at 28A/phase	600 x 700 x 835

- ELECTRICAL CONNECTION 
 WATER INLET 3/4" BSP 
 WATER CONDENSE BOX 3/4" BSP 
 DRAIN 1" BSP

Water Inlet Pressure min 1.7bar max 10bar  
Water supply is via internal WRAS approved valve.

**SPECIAL NOTE:**

**RECOMMENDED TO BE USED WITH A WATER TREATMENT SYSTEM .**

**COOKING PRESSURE - 0, 0.5 and 1.0 Bar**

**THERMAL RADIATION - APPROXIMATELY 1.5 kW AT DOOR, BUT REMAINDER NEGLIGIBLE AS MACHINE HAS INSULATED PANELS.**