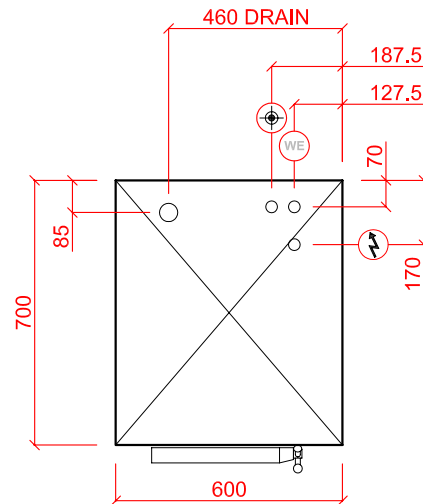
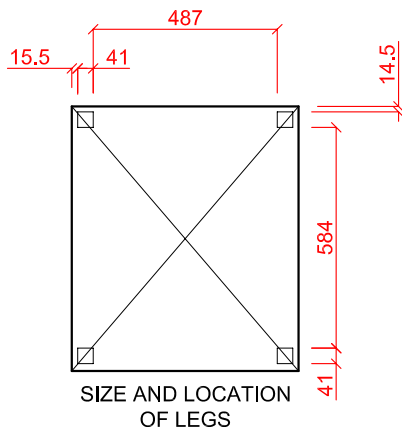


ALL SERVICES ENTER
FROM BELOW UNIT



Device Number	Description	Gas/Electric Loading	Dimensions (m.m.) (w x d x h)
305G-10	Pressure Steamer Supplied With 1 x 1/1 GN Pan 65m.m. Deep And Strainer Plate.	400/50/3 + N + E (27.0kW)	600 x 700 x 935

ELECTRICAL CONNECTION WATER INLET WATER CONDENSE BOX AND ELECTRICS

SPECIAL NOTE:
THERMAL RADIATION - APPROXIMATELY 1.5 kW AT DOOR, BUT REMAINDER NEGLIGIBLE AS MACHINE HAS INSULATED PANELS.