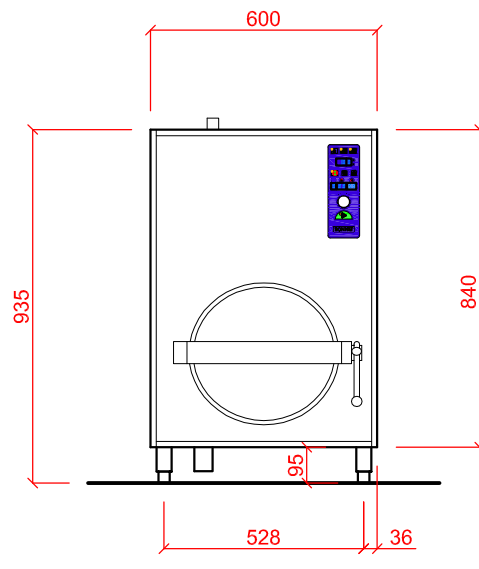
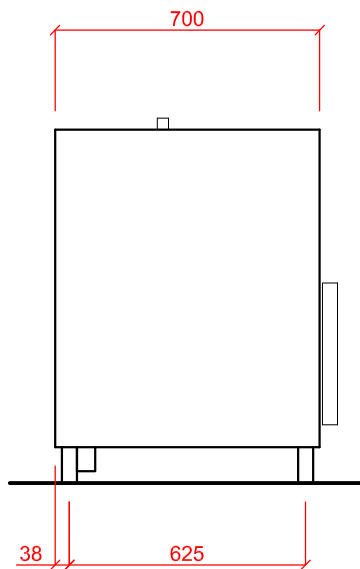
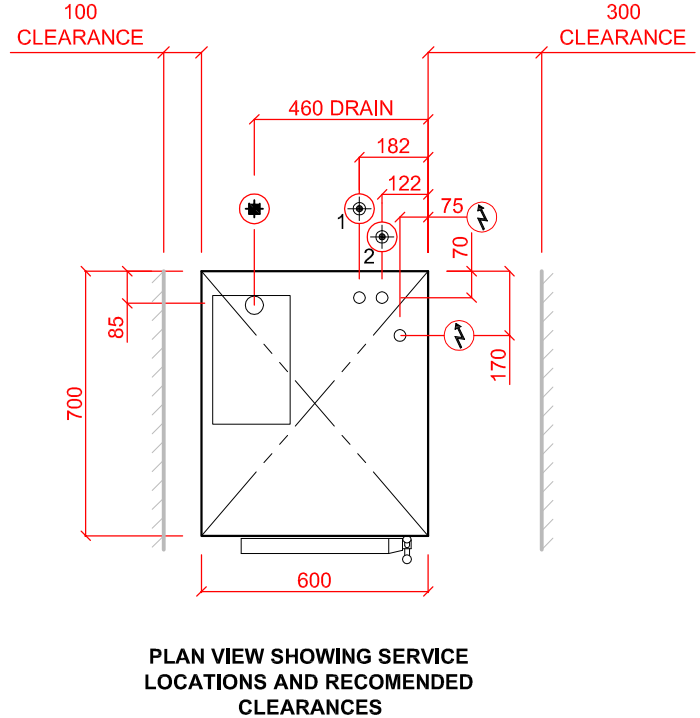
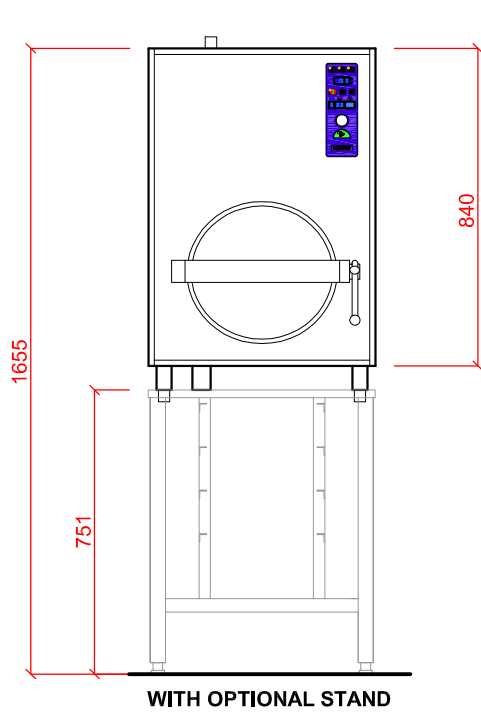


PRESSURE STEAMERS

305GB-10



ALL SERVICES ENTER FROM BELOW UNIT

| Device Number | Description | Electric Loading | Dimensions (mm.) (w x d x h) |
|---------------|--|---|---------------------------------|
| 305GB-10 | Pressure Steamer Single Chamber to suit GN 1/1 | 400/50/3 + N + E 27.0kW (switchable to 18kW) Fuse at 50A/phase(32A/phase) | 600 x 700 x 935 |

- ELECTRICAL CONNECTION
 - SOFT WATER INLET 3/4" BSP
 - WATER INLET 3/4" BSP
 - DRAIN 1" BSP
 - EST WEIGHT 88Kgs
- Water Inlet Pressure min 1.7bar max 10bar
Water supply is via internal WRAS approved valve.

SPECIAL NOTE:

RECOMMENDED TO BE USED WITH A WATER TREATMENT SYSTEM .

COOKING PRESSURE - 0, 0.5 and 1.0 Bar

THERMAL RADIATION - APPROXIMATELY 1.5 kW AT DOOR, BUT REMAINDER NEGLIGIBLE AS MACHINE HAS INSULATED PANELS.