

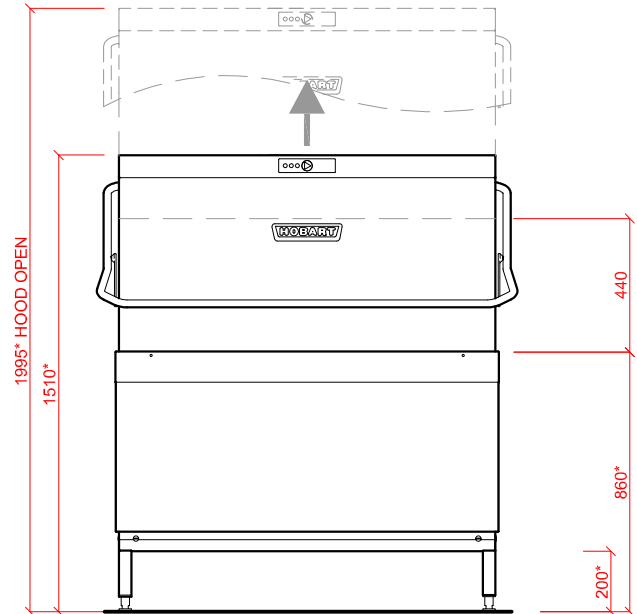
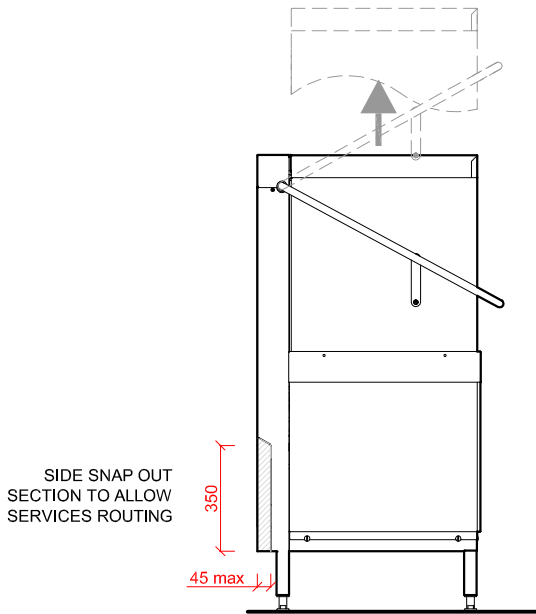
HOOD TYPE / PASS THROUGH DISHWASHERS AMXT SERIES



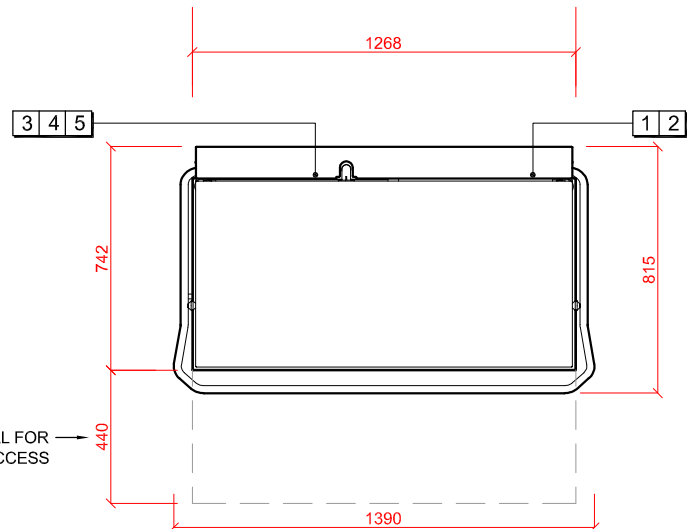
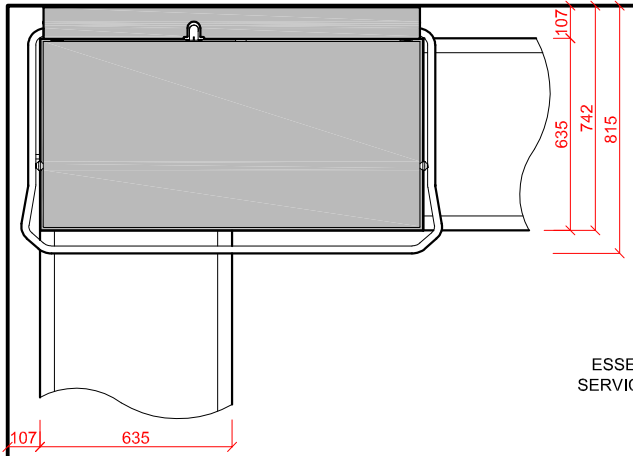
HOBART UK, SOUTHGATE WAY, ORTON SOUTHGATE, PETERBOROUGH, PE2 6GN
TELEPHONE 0844 888 7777
www.hobartuk.com

Hood Type Dishwasher

AMXT-10N



Example Corner Configuration



ESSENTIAL FOR SERVICE ACCESS

1 Water	2 Drain	3 Electric Loading
<p>22m.m. CONNECTION VIA 2 METRE FLEXIBLE HOSE, FEMALE TERMINATION.</p> <p>WATER SUPPLY 10°C TO 50°C (2 TO 8° CLARK) @ 0.5 TO 10 BAR MAX. FOR 12.3kW BOOSTER HEATING.</p> <p>OR</p> <p>WATER SUPPLY 50°C (2 TO 8° CLARK) @ 0.5 TO 10 BAR MAX. FOR 6.15kW BOOSTER HEATING.</p> <p>INITIAL TANK FILL 2 x 21 LITRES. (42 TOTAL)</p> <p>RINSE WATER USAGE 5.0 LITRES PER CYCLE. MAX USAGE 300 LITRES PER HOUR.</p> <p>OUR MACHINES ARE SUPPLIED WITH CLASS 'AA' AIR GAP AS STANDARD.</p>	<p>DRAIN - 2 METRE FLEXIBLE HOSE TO A 40 m.m. TRAPPED STANDPIPE 500m.m. A.F.F.L.</p> <p>FLOW RATE 30 LITRES PER MINUTE.</p>	<p>12.3kW BOOSTER = 18.8kW 400/50/3 + N + E FUSED AT 35AMPS / PHASE.</p> <p>CONFIGURABLE TO</p> <p>6.15kW BOOSTER = 12.6kW 400/50/3 + N + E FUSED AT 20AMPS / PHASE.</p> <p>MACHINE SUPPLIED WITH 2.5 METRES OF CABLE.</p>
	<p>4 5 Other Services</p> <p>RINSE AGENT HOSE - 2.0 METRE FLEXIBLE.</p> <p>DETERGENT HOSE - 2.0 METRE FLEXIBLE.</p>	<p>Notes</p> <p>APPROX WEIGHTS: EMPTY: 180kg's WITH WATER: 238kg's</p> <p>HEIGHTS MARKED * REPRESENT ±20m.m.</p> <p>MIN DISTANCE FROM WALL TO INSIDE OF TABLING BOXED EDGE 154.5m.m.</p>

PLOT SCALE: 1:25