

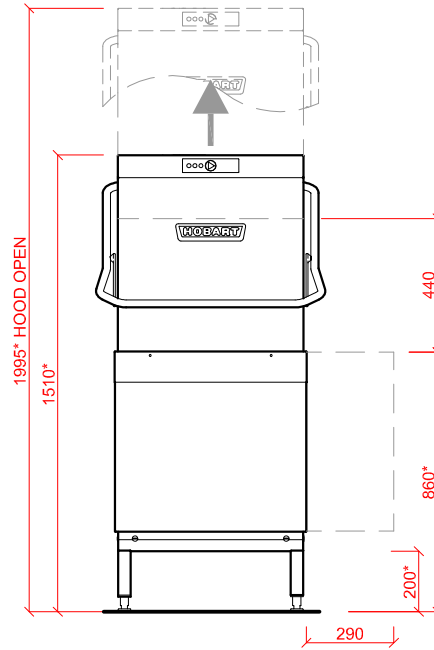
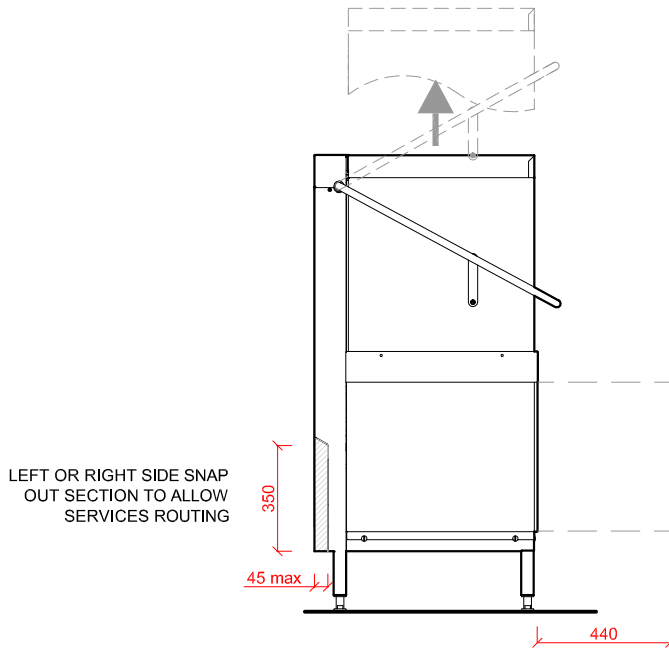
HOOD TYPE / PASS THROUGH DISHWASHERS AMXX SERIES



HOBART UK, SOUTHGATE WAY, ORTON SOUTHGATE, PETERBOROUGH, PE2 6GN
TELEPHONE 0844 888 7777
www.hobartuk.com

Hood Type Dishwasher

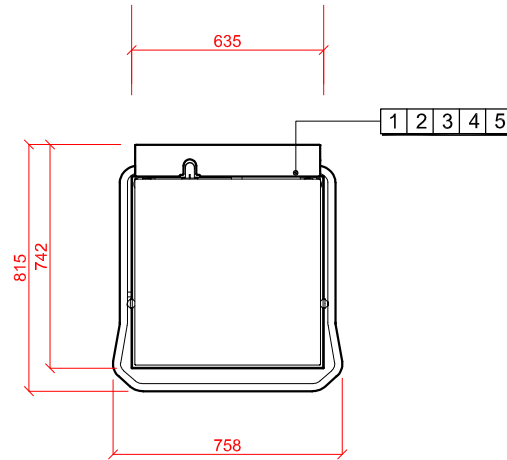
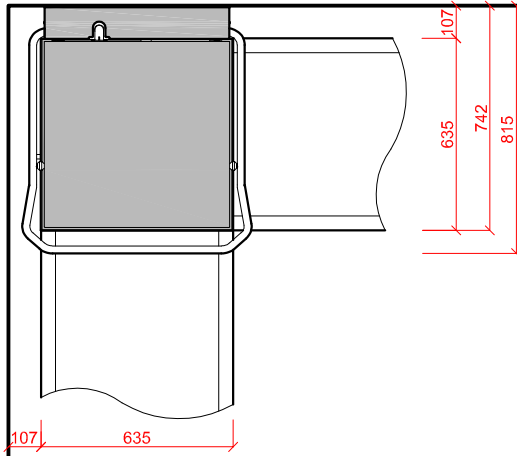
AMXX-31



ESSENTIAL FOR SERVICE ACCESS

ESSENTIAL FOR SERVICE ACCESS

Example Corner Configuration



<p>1 Water</p> <p>22m.m. CONNECTION VIA 2 METRE FLEXIBLE HOSE, FEMALE TERMINATION.</p> <p>COLD WATER SUPPLY 10°C (2 TO 8° CLARK) @ 0.5 TO 10 BAR MAX.</p> <p>OR</p> <p>HOT WATER SUPPLY 60°C (2 TO 8° CLARK) @ 0.5 TO 10 BAR MAX.</p> <p>INITIAL TANK FILL 33 LITRES.</p> <p>RINSE WATER USAGE 2.5 LITRES PER CYCLE. MAX USAGE 175 LITRES PER HOUR.</p> <p>OUR MACHINES ARE SUPPLIED WITH CLASS 'AA' AIR GAP AS STANDARD.</p>	<p>2 Drain</p> <p>DRAIN - 2 METRE FLEXIBLE HOSE TO A 40 m.m. TRAPPED STANDPIPE 500m.m. A.F.F.L.</p> <p>FLOW RATE 30 LITRES PER MINUTE.</p> <p>4 5 Other Services</p> <p>RINSE AGENT HOSE - 2.0 METRE FLEXIBLE.</p> <p>DETERGENT HOSE - 2.0 METRE FLEXIBLE.</p>	<p>3 Electric Loading</p> <p>15.9kW 400/50/3 + N + E FOR COLD FEED FUSED AT 35AMPS / PHASE.</p> <p>CONFIGURABLE TO</p> <p>9.5kW 400/50/3 + N + E FOR HOT FEED FUSED AT 25AMPS / PHASE.</p> <p>MACHINE SUPPLIED WITH 2.5 METRES OF CABLE.</p> <p>Notes</p> <p>APPROX WEIGHTS: EMPTY: 125kg's WITH WATER: 169kg's</p> <p>HEIGHTS MARKED * REPRESENT ±20m.m.</p> <p>MIN DISTANCE FROM WALL TO INSIDE OF TABLING BOXED EDGE 154.5m.m.</p>
---	--	--