

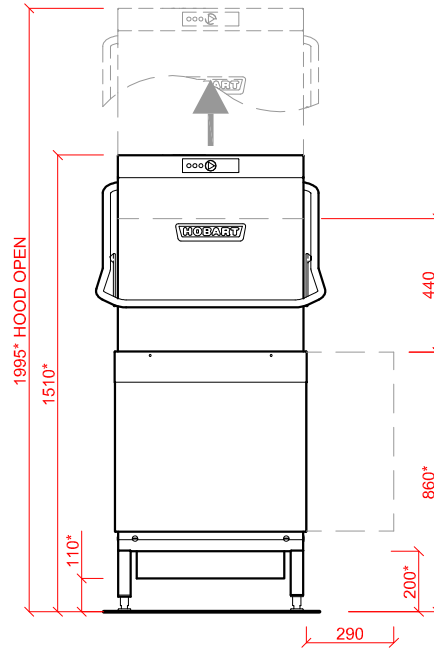
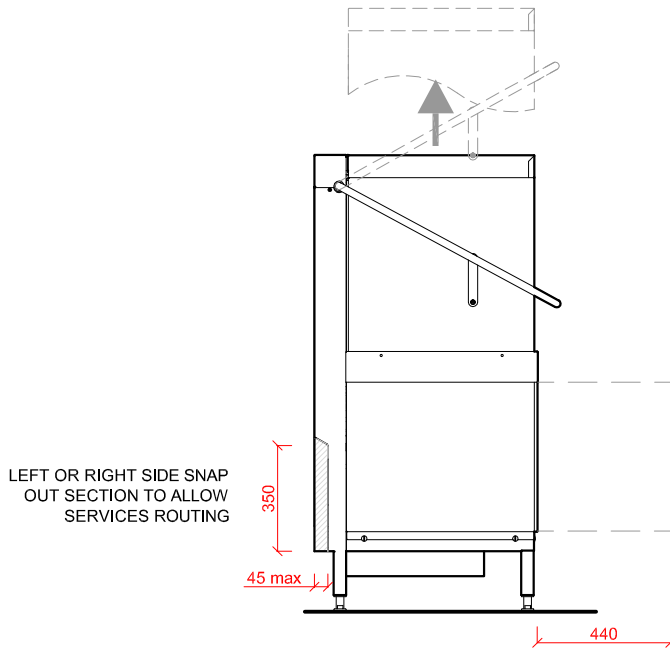
HOOD TYPE / PASS THROUGH DISHWASHERS AMXX SERIES



HOBART UK, SOUTHGATE WAY, ORTON SOUTHGATE, PETERBOROUGH, PE2 6GN
TELEPHONE 0844 888 7777
www.hobartuk.com

Hood Type Dishwasher with Heat Recovery Unit & Integral Softener

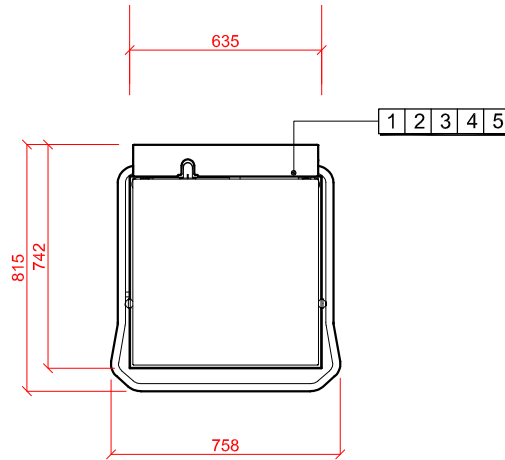
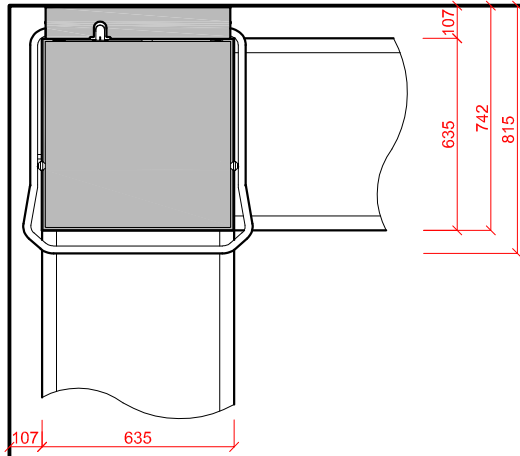
AMXXRS-30



ESSENTIAL FOR SERVICE ACCESS

ESSENTIAL FOR SERVICE ACCESS

Example Corner Configuration



1 Water
<p>22m.m. CONNECTION VIA 2 METRE FLEXIBLE HOSE, FEMALE TERMINATION.</p> <p>WATER SUPPLY 10°C @ 0.5 TO 10 BAR MAX.</p> <p>INITIAL TANK FILL 33 LITRES.</p> <p>RINSE WATER USAGE 2.5 LITRES PER CYCLE. MAX USAGE 175 LITRES PER HOUR.</p> <p>OUR MACHINES ARE SUPPLIED WITH CLASS 'AA' AIR GAP AS STANDARD.</p>

2 Drain
<p>DRAIN - 2 METRE FLEXIBLE HOSE TO A 40 m.m. TRAPPED STANDPIPE 500m.m. A.F.F.L.</p> <p>FLOW RATE 30 LITRES PER MINUTE.</p>
4 5 Other Services
<p>RINSE AGENT HOSE - 2.0 METRE FLEXIBLE.</p> <p>DETERGENT HOSE - 2.0 METRE FLEXIBLE.</p>

3 Electric Loading
<p>7.3kW 400/50/3 + N + E FUSED AT 16AMPS / PHASE.</p> <p>MACHINE SUPPLIED WITH 2.5 METRES OF CABLE.</p>
Notes
<p>APPROX WEIGHTS: EMPTY: 138kg's WITH WATER: 182kg's</p> <p>HEIGHTS MARKED * REPRESENT ±20m.m.</p> <p>MIN DISTANCE FROM WALL TO INSIDE OF TABLING BOXED EDGE 154.5m.m.</p>