

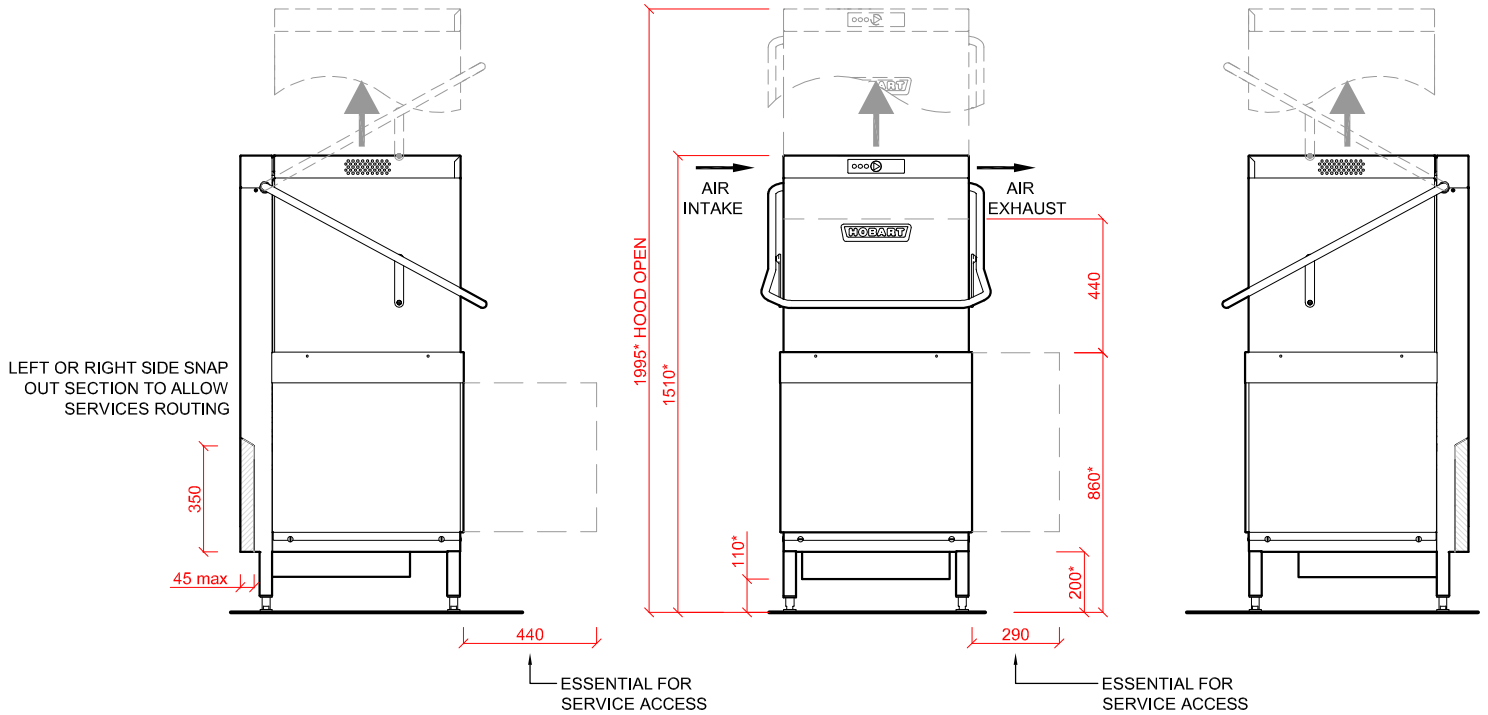
HOOD TYPE / PASS THROUGH DISHWASHERS AUP SERIES



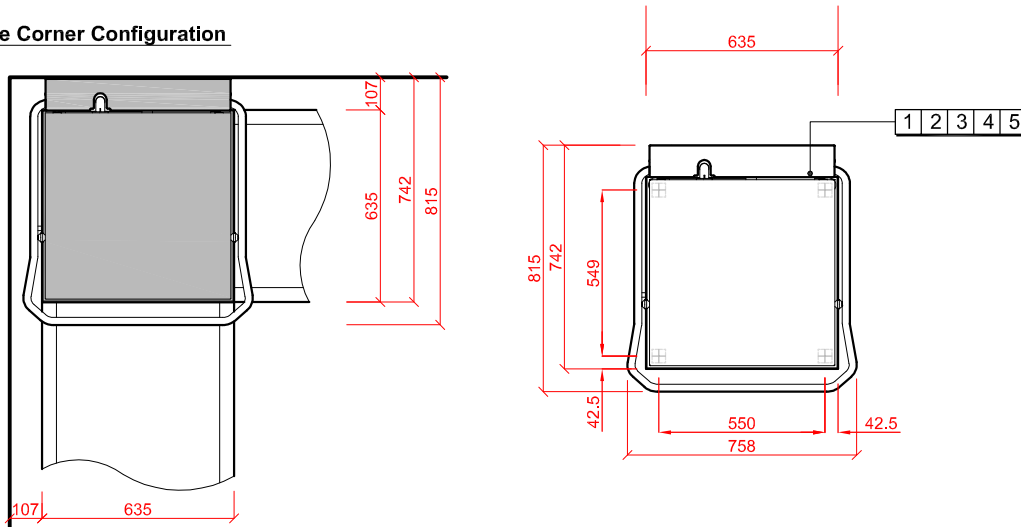
HOBART UK, SOUTHGATE WAY, ORTON SOUTHGATE, PETERBOROUGH, PE2 6GN
TELEPHONE 0844 888 7777
www.hobartuk.com

Hood Type Dishwasher with Integral Softener & Heat Recovery Unit with Vapo Rinse ECO

AUPRS-31



Example Corner Configuration



<p>1 Water</p> <p>22m.m. CONNECTION VIA 2 METRE FLEXIBLE HOSE, FEMALE TERMINATION.</p> <p>WATER SUPPLY 10 TO 60°C (2° TO 8° CLARK MAX) @ 0.6 TO 6.0 BAR MAX. INITIAL TANK FILL 10.8 LITRES.</p> <p>STANDARD RINSE - 75 CYCLES RINSE WATER USAGE 2.3 LITRES PER</p> <p>MAX USAGE 172 LITRES PER HOUR. VAPO RINSE - 21 CYCLES RINSE WATER USAGE 1.6 LITRES PER</p> <p>MAX USAGE 34.0 LITRES PER HOUR. OUR MACHINES ARE SUPPLIED WITH CLASS 'AA' AIR GAP AS STANDARD.</p>	<p>2 Drain</p> <p>DRAIN - 2 METRE FLEXIBLE HOSE TO A 40 m.m. TRAPPED STANDPIPE 500m.m. A.F.F.L.</p> <p>FLOW RATE 30 LITRES PER MINUTE.</p> <p>4 5 Other Services</p> <p>RINSE AGENT HOSE - 2.0 METRE FLEXIBLE.</p> <p>DETERGENT HOSE - 2.0 METRE FLEXIBLE.</p>	<p>3 Electric Loading</p> <p>10.9kW 400/50/3 + N + E FUSED AT 25AMPS / PHASE.</p> <p>MACHINE SUPPLIED WITH 2.5 METRES OF CABLE.</p> <p>Notes</p> <p>APPROX WEIGHTS: EMPTY: 148kg's WITH WATER: 199kg's</p> <p>HEIGHTS MARKED * REPRESENT ±20m.m.</p> <p>MIN DISTANCE FROM WALL TO INSIDE OF TABLING BOXED EDGE 154.5m.m.</p>
---	--	---