

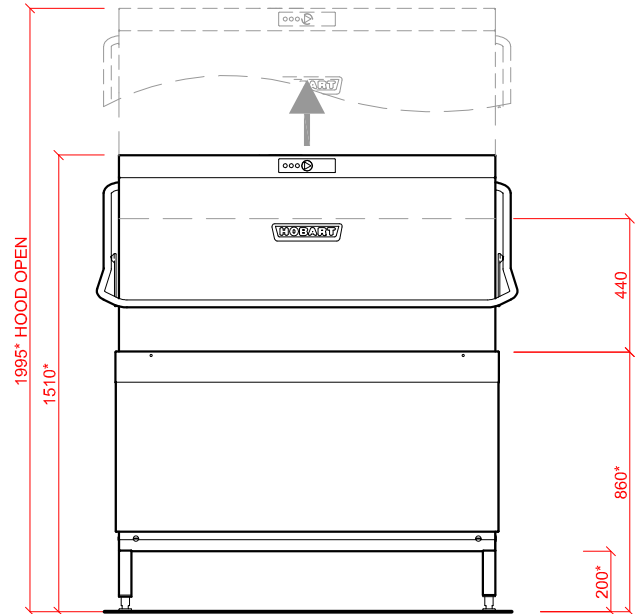
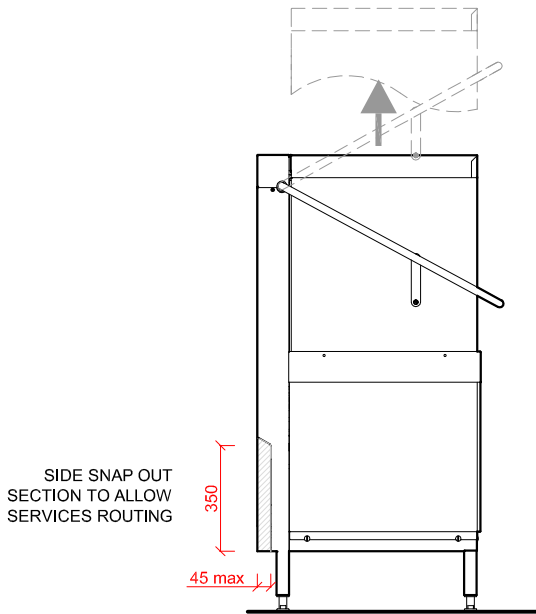
HOOD TYPE / PASS THROUGH DISHWASHERS AUXXT SERIES



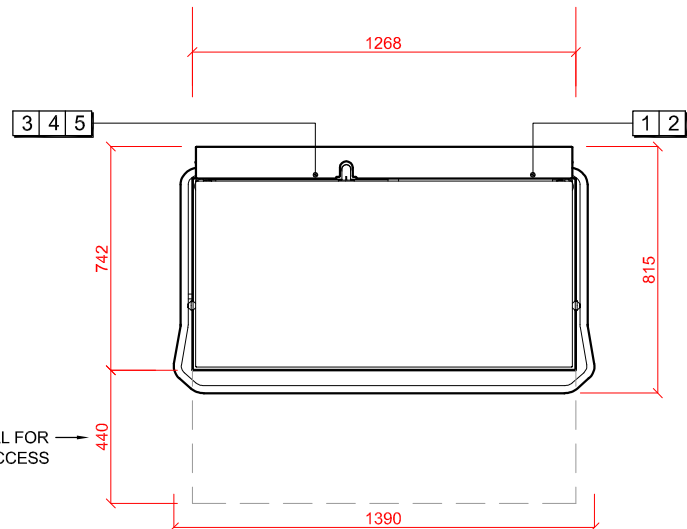
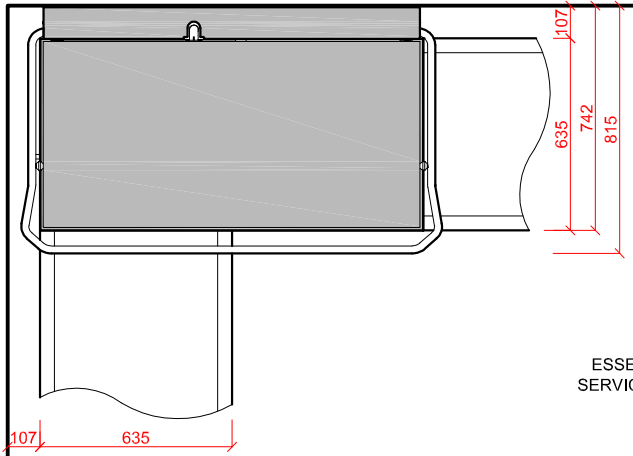
HOBART UK, SOUTHGATE WAY, ORTON SOUTHGATE, PETERBOROUGH, PE2 6GN
TELEPHONE 0844 888 7777
www.hobartuk.com

Hood Type Dishwasher

AUXXT-10N



Example Corner Configuration



ESSENTIAL FOR SERVICE ACCESS

1 Water

22m.m. CONNECTION VIA 2 METRE FLEXIBLE HOSE, FEMALE TERMINATION.

WATER SUPPLY 10°C TO 50°C (2 TO 8° CLARK) @ 0.5 TO 10 BAR MAX. FOR 12.3kW BOOSTER HEATING.

OR

WATER SUPPLY 50°C (2 TO 8° CLARK) @ 0.5 TO 10 BAR MAX. FOR 6.15kW BOOSTER HEATING.

INITIAL TANK FILL 2 x 40 LITRES. (80 TOTAL)

RINSE WATER USAGE 5.0 LITRES PER CYCLE. MAX USAGE 300 LITRES PER HOUR.

OUR MACHINES ARE SUPPLIED WITH CLASS 'AA' AIR GAP AS STANDARD.

2 Drain

DRAIN - 2 METRE FLEXIBLE HOSE TO A 40 m.m. TRAPPED STANDPIPE 500m.m. A.F.F.L.

FLOW RATE 30 LITRES PER MINUTE.

4 5 Other Services

RINSE AGENT HOSE - 2.0 METRE FLEXIBLE.

DETERGENT HOSE - 2.0 METRE FLEXIBLE.

3 Electric Loading

12.3kW BOOSTER = 21.7kW 400/50/3 + N + E FUSED AT 50AMPS / PHASE.

CONFIGURABLE TO

6.15kW BOOSTER = 15.6kW 400/50/3 + N + E FUSED AT 35AMPS / PHASE.

MACHINE SUPPLIED WITH 2.5 METRES OF CABLE.

Notes

APPROX WEIGHTS:
EMPTY: 200kg's WITH WATER: 296kg's

HEIGHTS MARKED * REPRESENT ±20m.m.

MIN DISTANCE FROM WALL TO INSIDE OF TABLING BOXED EDGE 154.5m.m.

PLOT SCALE: 1:25