

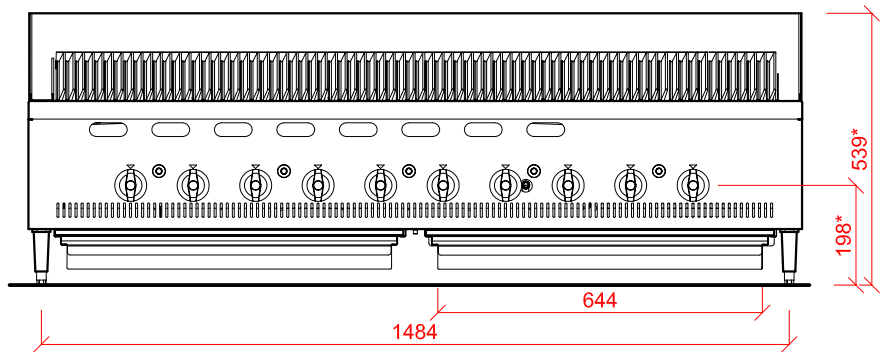
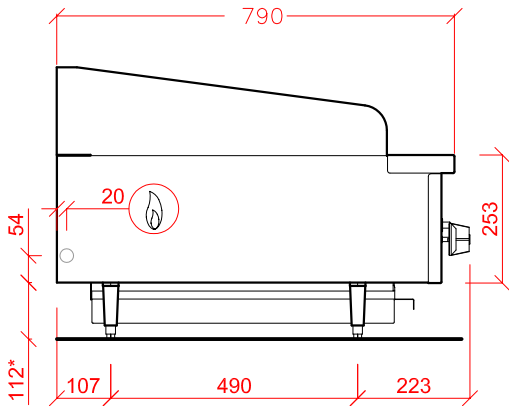
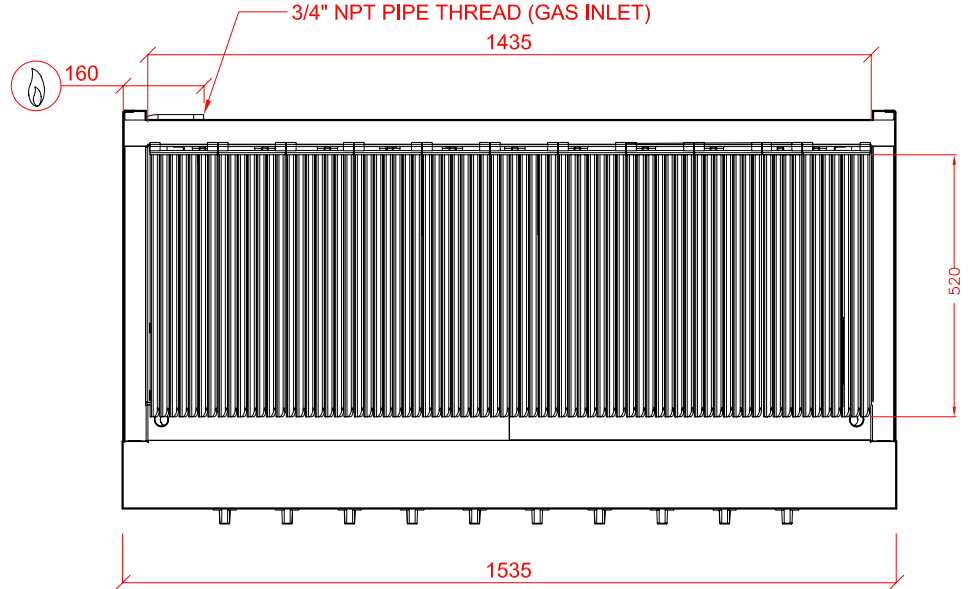
COOKING EQUIPMENT
CHARBROILER RANGE



HOBART UK,
SOUTHGATE WAY,
ORTON SOUTHGATE,
PETERBOROUGH
PE2 6GN
TELEPHONE - 0844 888 7777
www.hobartuk.com

Charbroiler Range - Nat. Gas

BCB1500-1



Device Number	Description	Gas	Dimensions (m.m.) (w x d x h)
BCB1500-1	GAS CHARBROILER - (Nat. Gas). (WITH PIEZO IGNITION).	37.0kW / (126,275BTU/H)	1535 x 790 x 539* * ± 12m.m.

22m.m. CONNECTION, 20mBAR

SPECIAL NOTE:
INSTALLATION MUST COMPLY WITH CURRENT GAS SAFETY REGULATIONS AND BS 6173

UNIT WEIGHT - 196kg

PLOT SCALE: 1:15