

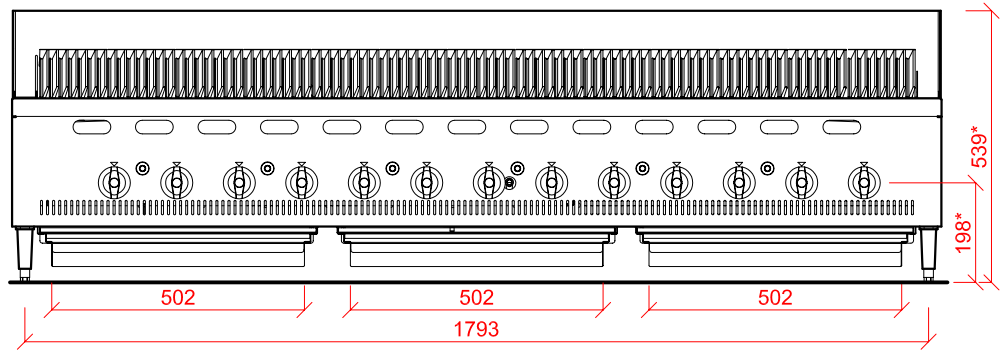
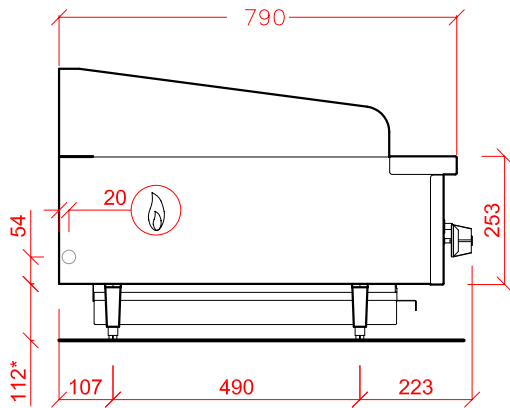
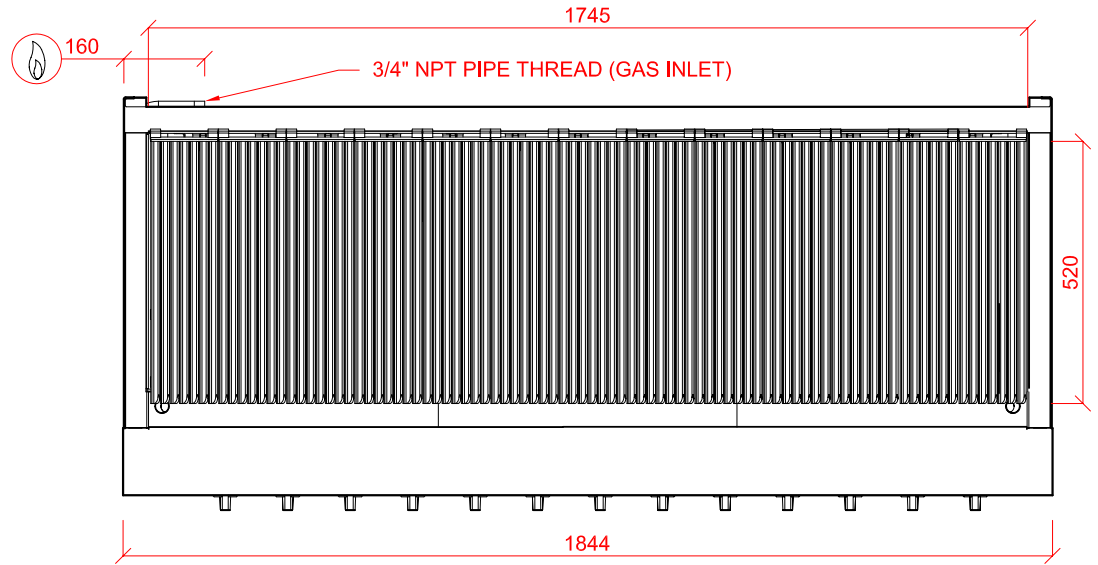
**COOKING EQUIPMENT**  
**CHARBROILER RANGE**



**HOBART UK,**  
SOUTHGATE WAY,  
ORTON SOUTHGATE,  
PETERBOROUGH  
PE2 6GN  
**TELEPHONE - 0844 888 7777**  
**www.hobartuk.com**

**Charbroiler Range - LPG Gas**

**BCB1800-2**



Device Number	Description	Gas	Dimensions (m.m.) (w x d x h)
BCB1800-2	GAS CHARBROILER - (LPG Gas). (WITH PIEZO IGNITION).	44.4kW / (151,540BTU/H)	1844 x 790 x 539* * ± 12m.m.

22m.m. CONNECTION, 37mBAR

**SPECIAL NOTE:**  
INSTALLATION MUST COMPLY WITH CURRENT GAS SAFETY REGULATIONS AND BS 6173

UNIT WEIGHT - 227kg

**PLOT SCALE: 1:15**