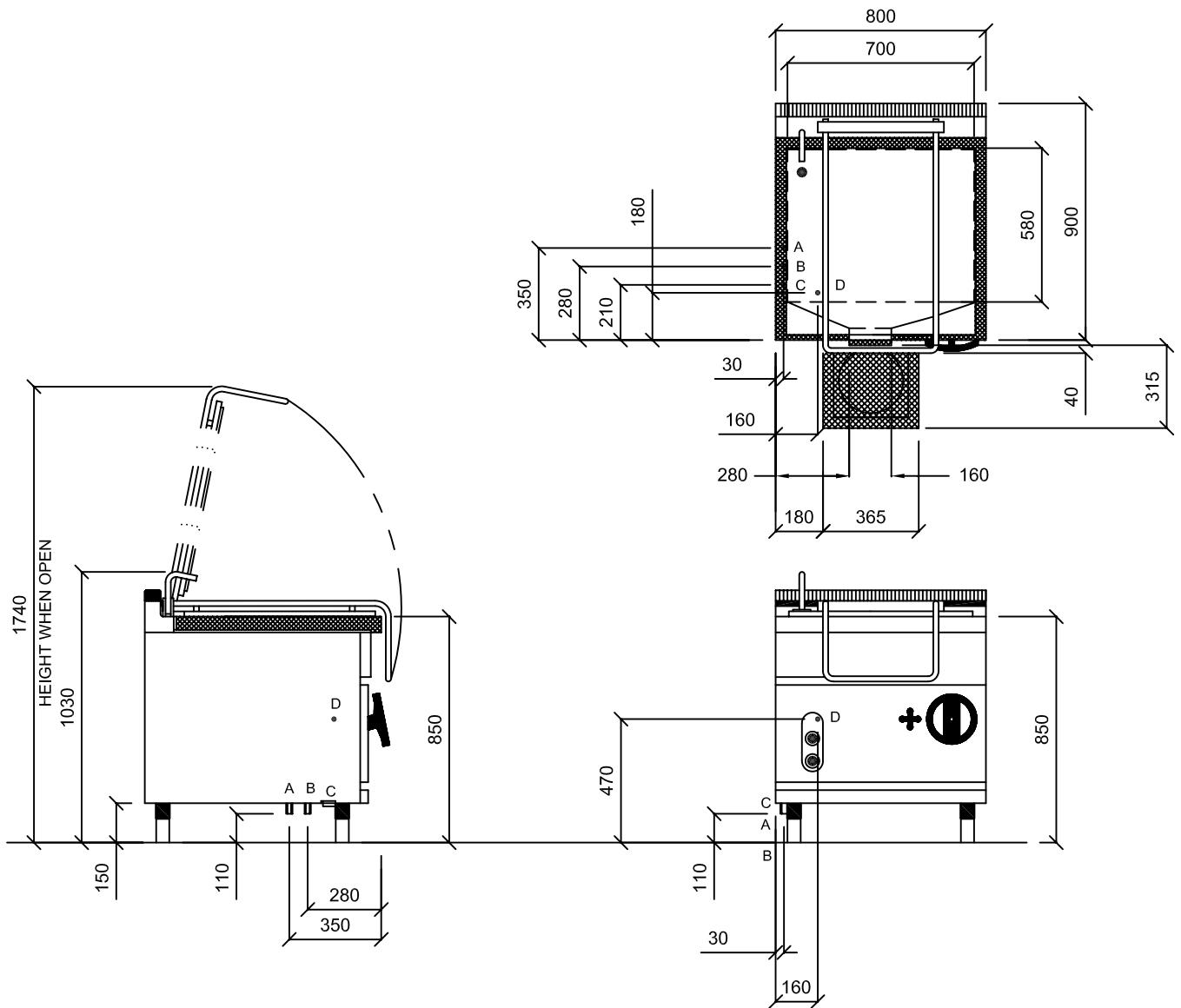


**BR9-8GF-11 BRATT PAN 80 LITRES  
WITH MANUAL TILT  
18.0kW (61,416 BTU`S) L.P. GAS  
230/50/1 0.2kW**



A - WATER INLET 1/2" B.S.P.

B - GAS CONNECTION 3/4" B.S.P. 18.0kW 61,416 BTU`S PRESSURE 37mBAR

C - ELECTRIC CABLE GLAND INLET

D - 230/50/1 0.2kW FUSE AT 13 AMPS

