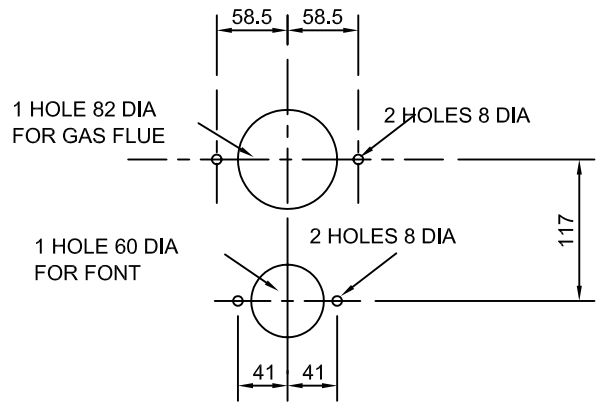
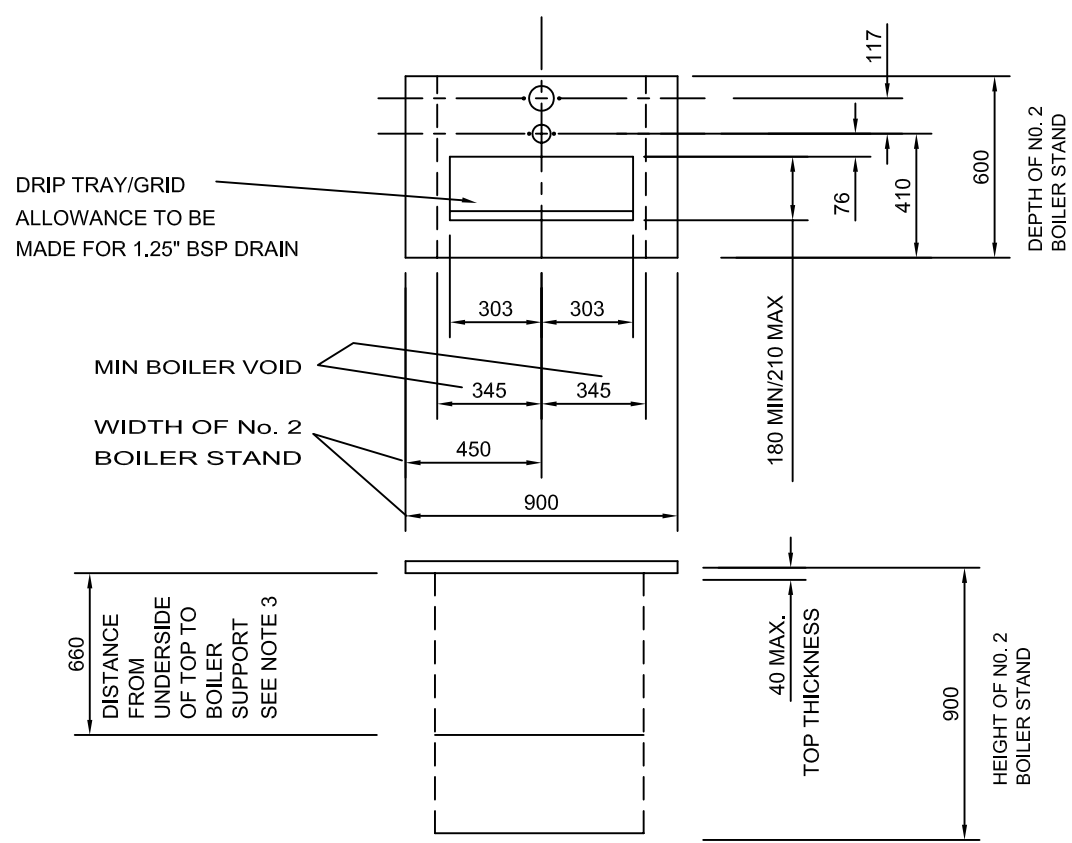


UNDERCOUNTER GAS PRESSURE BOILER

BRG200-10



TOP DRILLING DETAIL



NOTES:

1. WEIGHT OF BRG200 BOILER WITH WATER 58kg
2. IF WATER TREATMENT UNIT IS REQUIRED THEN ADDITIONAL ALLOWANCE TO WIDTH OF CABINET SHOULD BE MADE. WIDTH STATED IS ONLY FOR BOILER REQUIREMENT
3. IF BOILER CABINET IS NOT SUPPLIED BY HOBART THEN CABINET MANUFACTURER MUST MAKE BOILER SUPPORT.

GAS: 3/4" B.S.P. 59,000BTU 20mBAR
 WATER: A 15m.m. INDEPENDENT SUPPLY FROM A 180 LITRE STORAGE CISTERN POSITIONED 4.5 TO 18metres ABOVE THE BOILER IS RECOMMENDED, CHECK LOCAL WATER AUTHORITY APPROVAL. A UNION STOP COCK SHOULD BE FITTED ADJACENT TO THE BOILER IN AN ACCESSIBLE POSITION. BOILER CAPACITY 22litres

