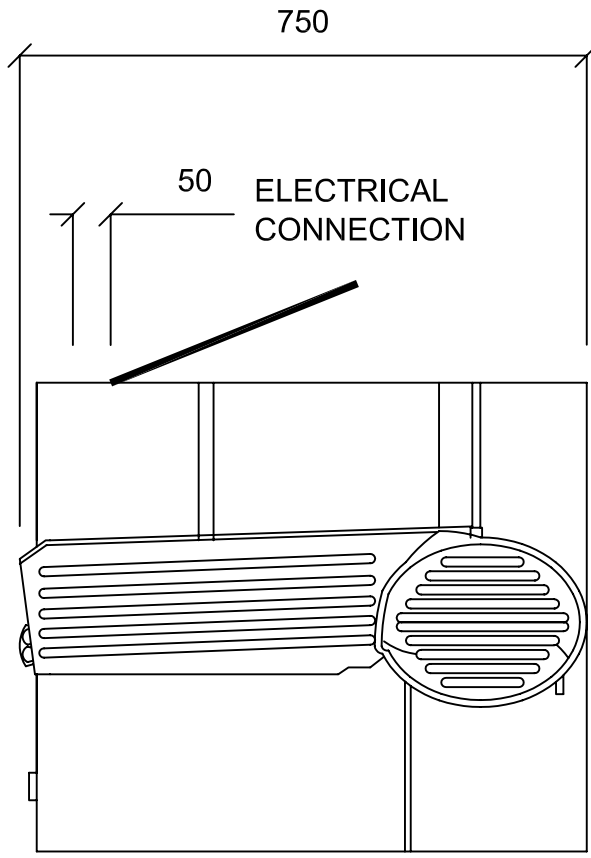
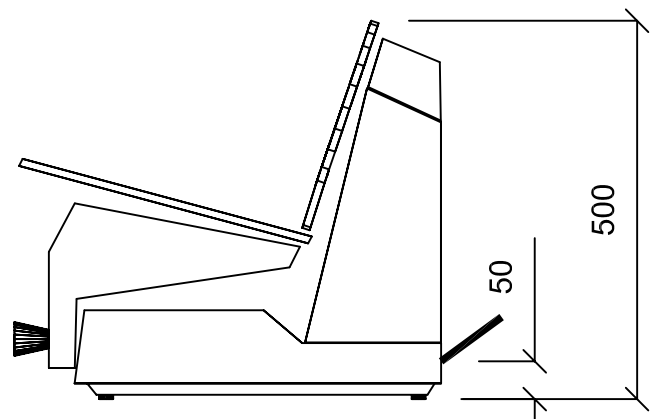
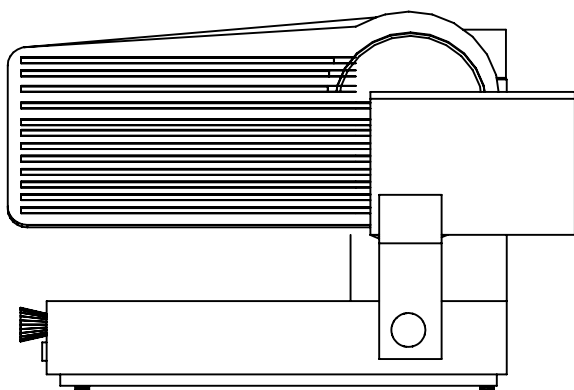


HEAVY DUTY GRAVITY FEED SLICER G350-N-10



ELECTRICS
230/50/1 370 WATTS 13 AMPS
SUPPLIED WITH 1.3 METRES OF CABLE



HOBART