

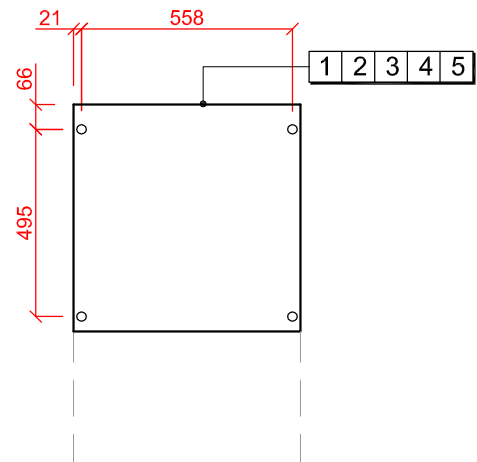
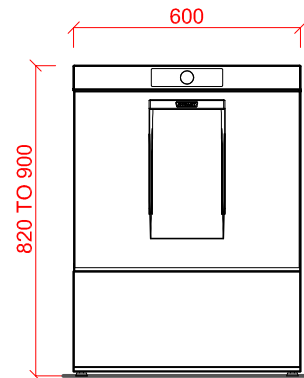
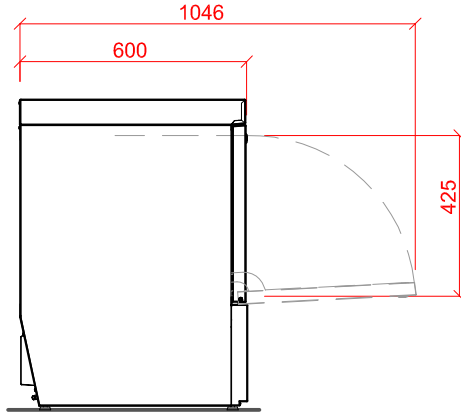
UNDERCOUNTER GLASSWASHERS GXH SERIES



HOBART UK, SOUTHGATE WAY, ORTON SOUTHGATE, PETERBOROUGH, PE2 6GN
TELEPHONE 0844 888 7777 www.hobartuk.com

Undercounter Glasswasher

GXH-70N



1 Water	2 Drain	3 Electric Loading				
<p>22m.m. CONNECTION VIA 2 METRE FLEXIBLE HOSE, FEMALE TERMINATION.</p> <p>WATER SUPPLY 10 TO 60°C (2° TO 8° CLARK MAX) @ 0.5 TO 6.0 BAR MAX. INITIAL TANK FILL 10.8 LITRES.</p> <p>RINSE WATER USAGE 2.5 LITRES PER CYCLE. MAX USAGE 150 LITRES PER HOUR.</p> <p>OUR MACHINES ARE SUPPLIED WITH CLASS 'AA' AIR GAP AS STANDARD.</p>	<p>DRAIN - 2 METRE FLEXIBLE HOSE TO A 40 m.m. TRAPPED STANDPIPE 800m.m. MAX A.F.F.L.</p> <p>FLOW RATE 30 LITRES PER MINUTE.</p> <tr> <th data-bbox="558 1877 997 1960">4 5 Other Services</th> <td data-bbox="997 1691 1436 2121"> <p>7.7kW 400/50/3 + N + E FUSED AT 16AMPS / PHASE CONFIGURABLE TO 5.6kW 230/50/1 FUSED AT 25AMPS OR 2.9kW 230/50/1 FUSED AT 13AMPS MACHINE SUPPLIED WITH 2.0 METRES OF CABLE (3 PHASE).</p> <tr> <th colspan="2" data-bbox="558 1960 997 2027">Notes</th> <td data-bbox="997 1960 1436 2121"> <p>APPROX WEIGHTS: EMPTY: 65kg's WITH WATER: 87kg's</p> <p>RIGHT TO MAKE NECESSARY CHANGES IS RESERVED</p> </td> </tr> </td></tr>	4 5 Other Services	<p>7.7kW 400/50/3 + N + E FUSED AT 16AMPS / PHASE CONFIGURABLE TO 5.6kW 230/50/1 FUSED AT 25AMPS OR 2.9kW 230/50/1 FUSED AT 13AMPS MACHINE SUPPLIED WITH 2.0 METRES OF CABLE (3 PHASE).</p> <tr> <th colspan="2" data-bbox="558 1960 997 2027">Notes</th> <td data-bbox="997 1960 1436 2121"> <p>APPROX WEIGHTS: EMPTY: 65kg's WITH WATER: 87kg's</p> <p>RIGHT TO MAKE NECESSARY CHANGES IS RESERVED</p> </td> </tr>	Notes		<p>APPROX WEIGHTS: EMPTY: 65kg's WITH WATER: 87kg's</p> <p>RIGHT TO MAKE NECESSARY CHANGES IS RESERVED</p>
4 5 Other Services	<p>7.7kW 400/50/3 + N + E FUSED AT 16AMPS / PHASE CONFIGURABLE TO 5.6kW 230/50/1 FUSED AT 25AMPS OR 2.9kW 230/50/1 FUSED AT 13AMPS MACHINE SUPPLIED WITH 2.0 METRES OF CABLE (3 PHASE).</p> <tr> <th colspan="2" data-bbox="558 1960 997 2027">Notes</th> <td data-bbox="997 1960 1436 2121"> <p>APPROX WEIGHTS: EMPTY: 65kg's WITH WATER: 87kg's</p> <p>RIGHT TO MAKE NECESSARY CHANGES IS RESERVED</p> </td> </tr>	Notes		<p>APPROX WEIGHTS: EMPTY: 65kg's WITH WATER: 87kg's</p> <p>RIGHT TO MAKE NECESSARY CHANGES IS RESERVED</p>		
Notes		<p>APPROX WEIGHTS: EMPTY: 65kg's WITH WATER: 87kg's</p> <p>RIGHT TO MAKE NECESSARY CHANGES IS RESERVED</p>				