

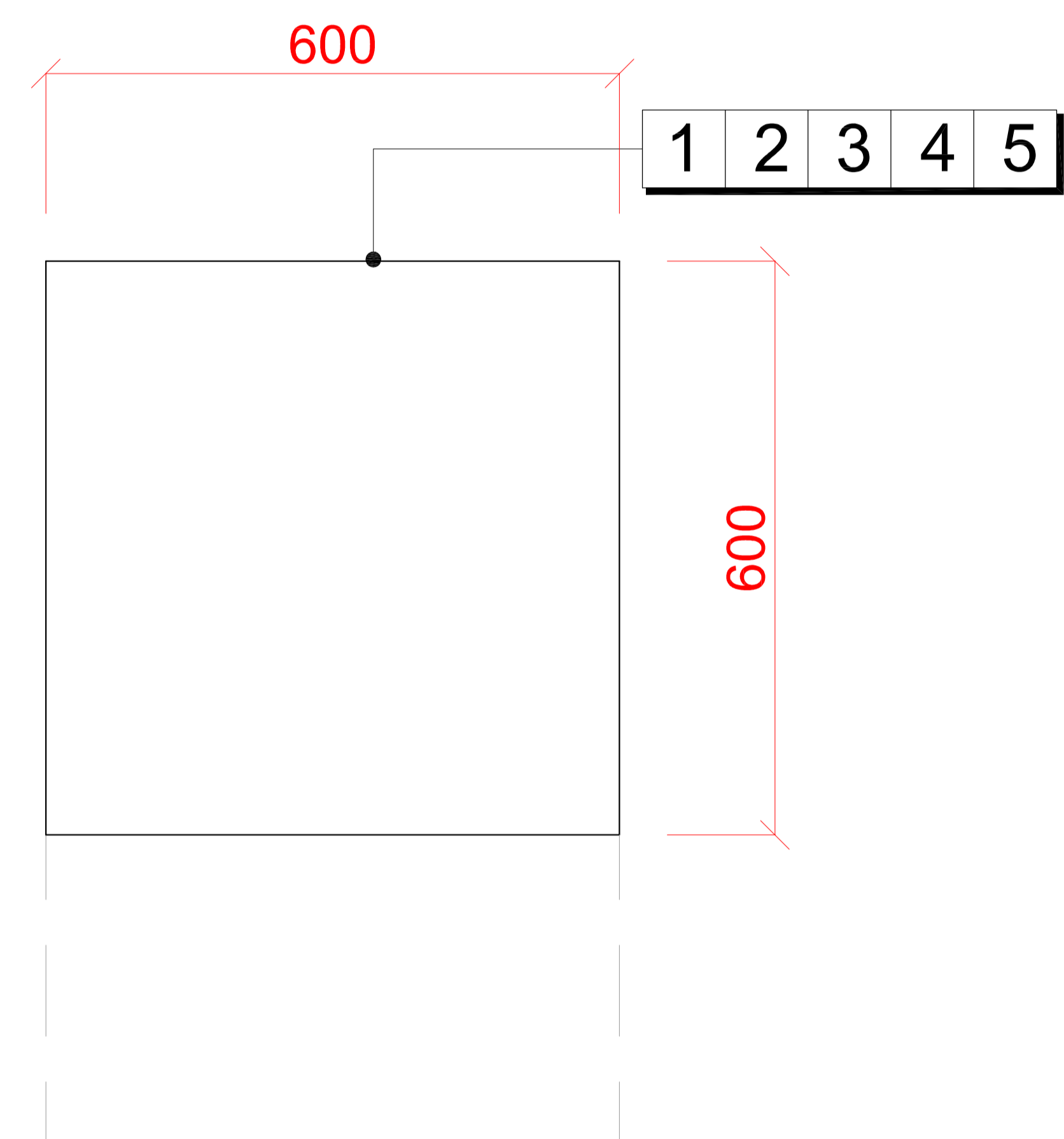
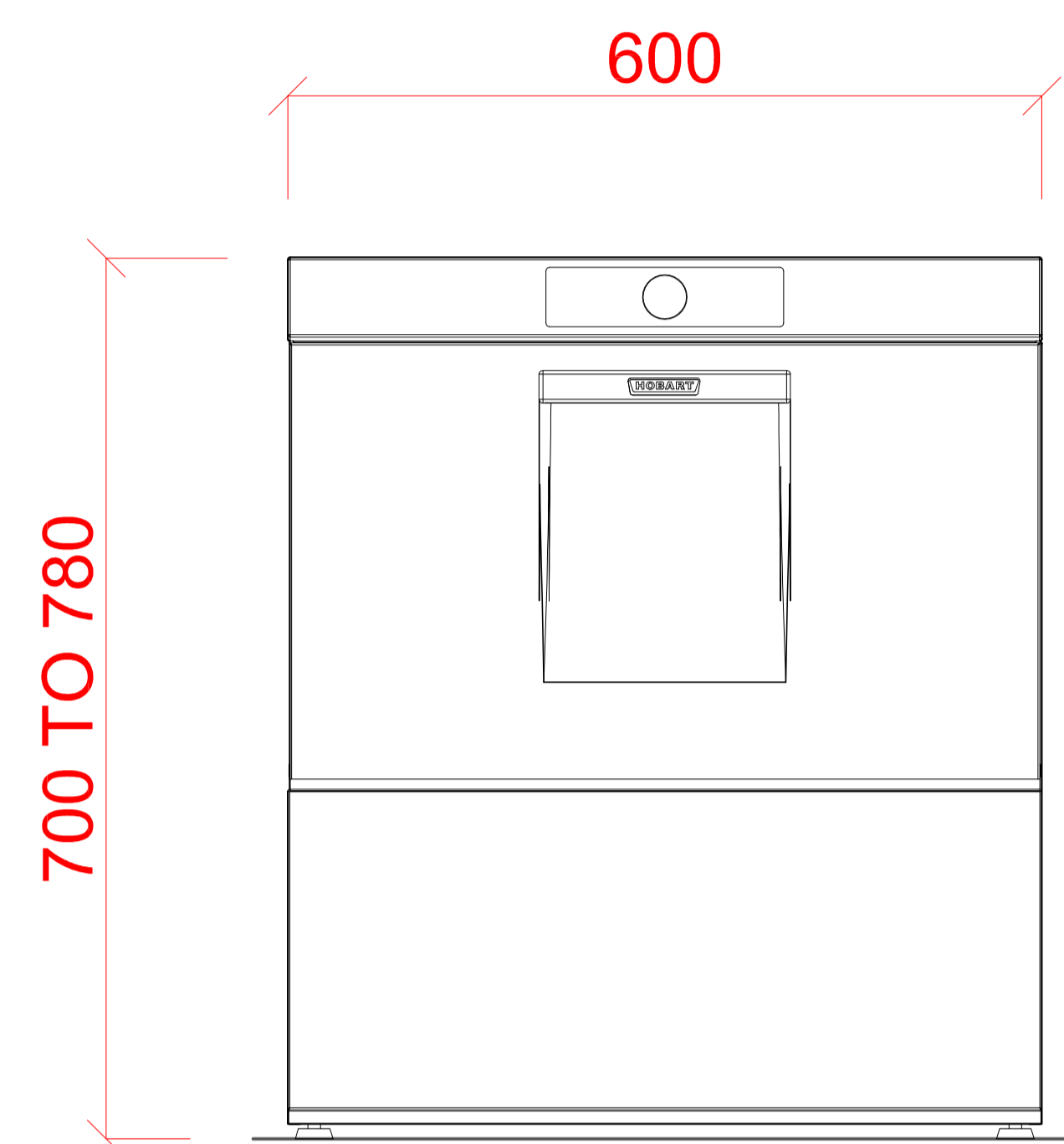
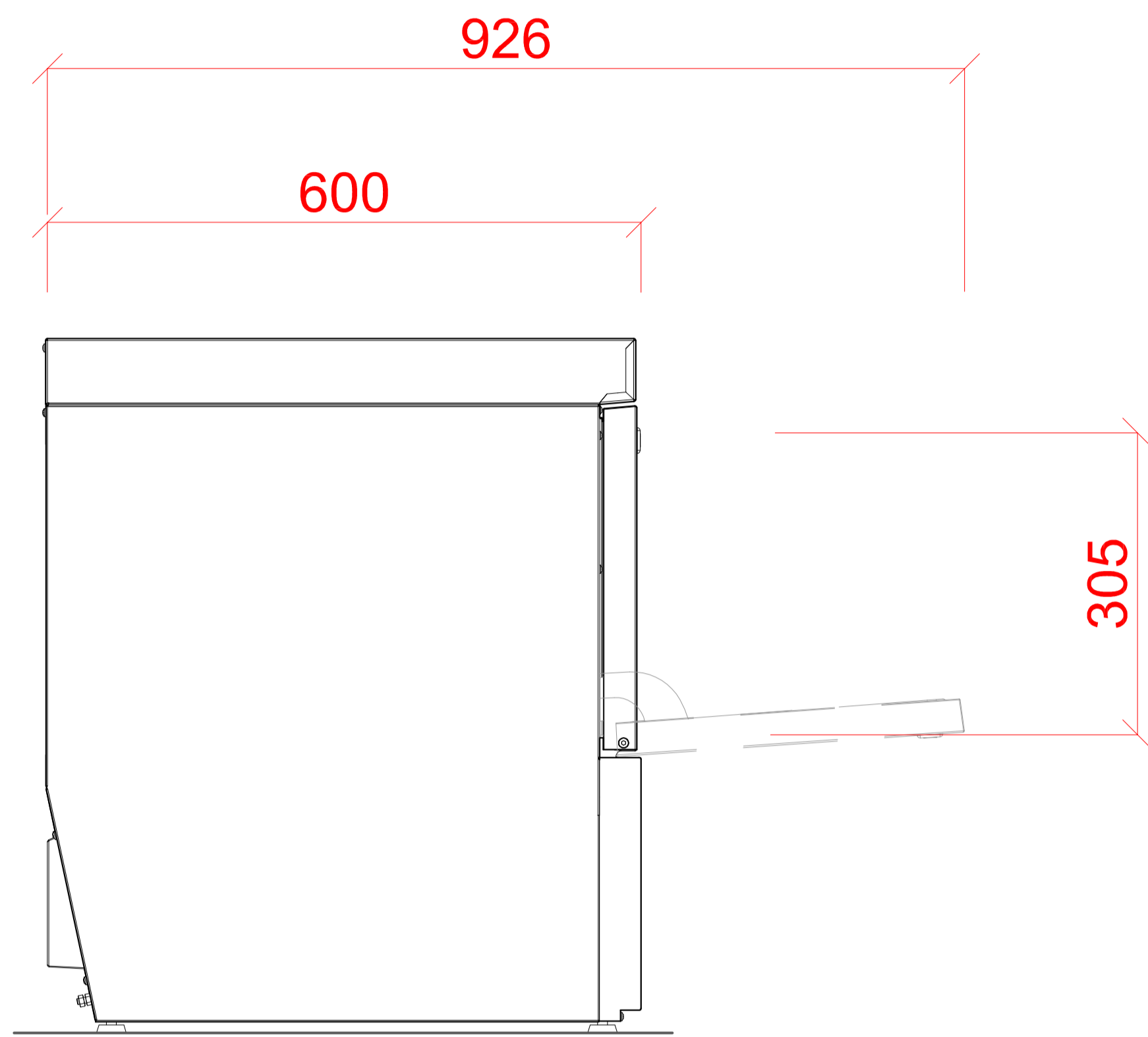
# UNDERCOUNTER GLASSWASHERS GX SERIES



HOBART UK, SOUTHGATE WAY, ORTON SOUTHGATE, PETERBOROUGH, PE2 6GN  
TELEPHONE 0844 888 7777 [www.hobartuk.com](http://www.hobartuk.com)

## Undercounter Glasswasher (Low body) With Inbuilt Softener.

GXS-70N



### 1 Water

22mm CONNECTION VIA 2 METRE FLEXIBLE HOSE, FEMALE TERMINATION.

WATER SUPPLY 10 TO 60°C (2° TO 8° CLARK MAX)  
@ 0.6 TO 6.0 BAR MAX.  
INITIAL TANK FILL 10.8 LITRES.

RINSE WATER USAGE 2.5 LITRES PER CYCLE.  
MAX USAGE 150 LITRES PER HOUR.

OUR MACHINES ARE SUPPLIED WITH CLASS 'AA' AIR GAP AS STANDARD.

### 2 Drain

DRAIN - 2 METRE FLEXIBLE HOSE TO A 40 mm TRAPPED STANDPIPE 800mm MAX A.F.F.L.

FLOW RATE 30 LITRES PER MINUTE.

### 4 5 Other Services

RINSE AGENT HOSE - 2.5 METRE FLEXIBLE.

DETERGENT HOSE - 2.5 METRE FLEXIBLE.

### 3 Electric Loading

7.7kW 400/50/3 + N + E  
FUSED AT 16AMPS / PHASE.  
MACHINE SUPPLIED WITH 2.5 METRES OF CABLE (3 PHASE).  
**CONFIGURABLE TO**  
5.6kW 230/50/1 FUSED AT 25AMPS OR  
2.9kW 230/50/1 FUSED AT 13AMPS

### Notes

APPROX WEIGHTS:  
EMPTY: 50kg's WITH WATER: 72kg's

RIGHT TO MAKE NECESSARY CHANGES IS RESERVED