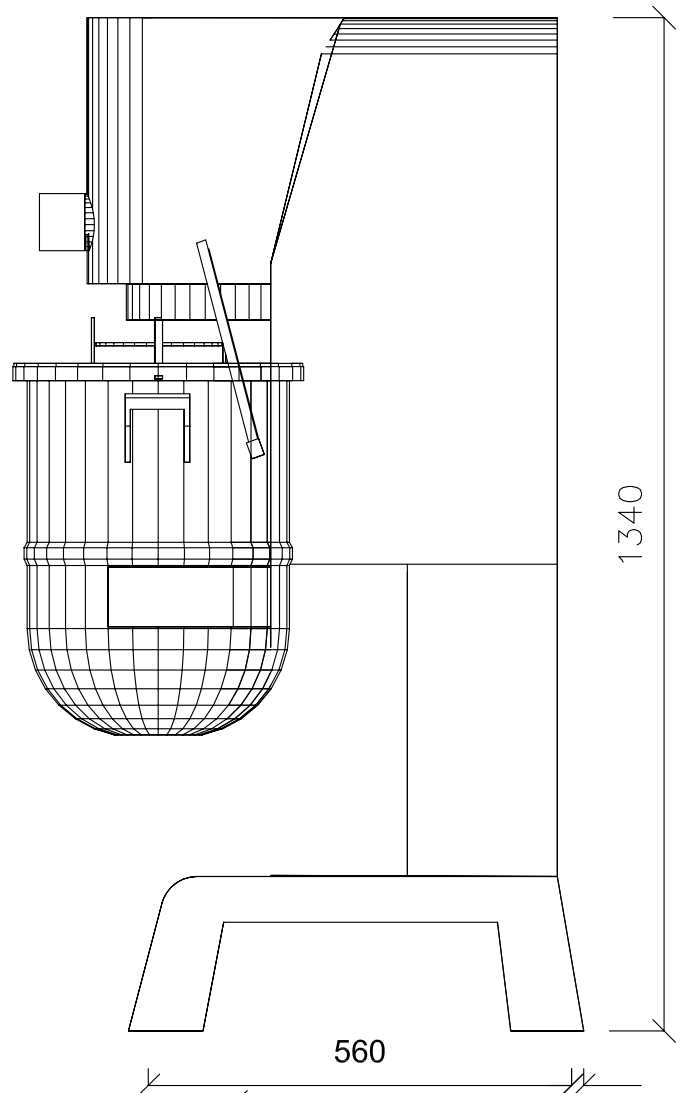
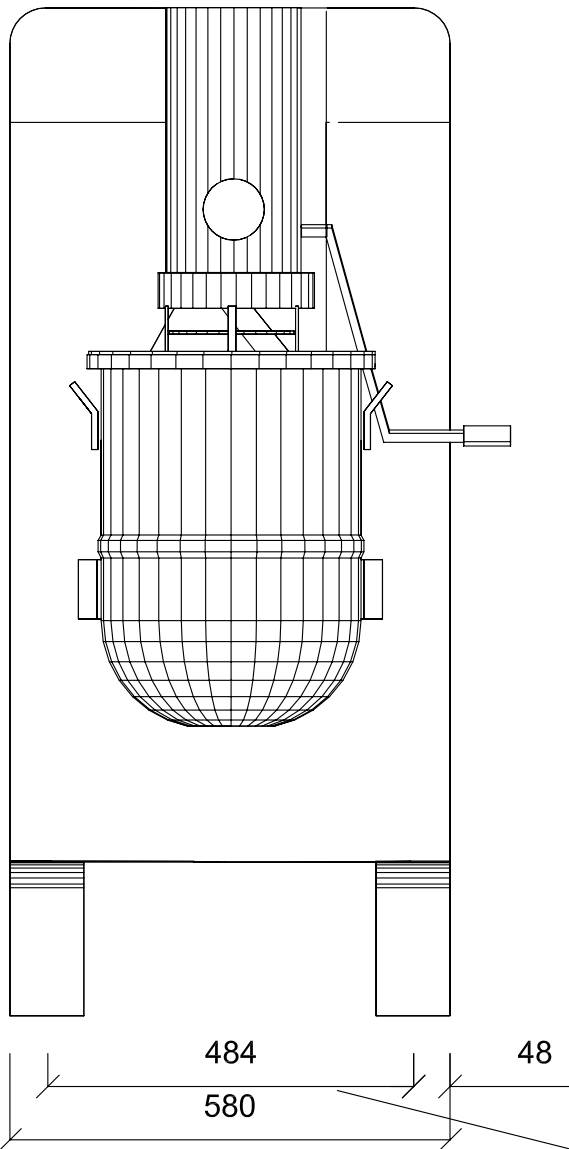
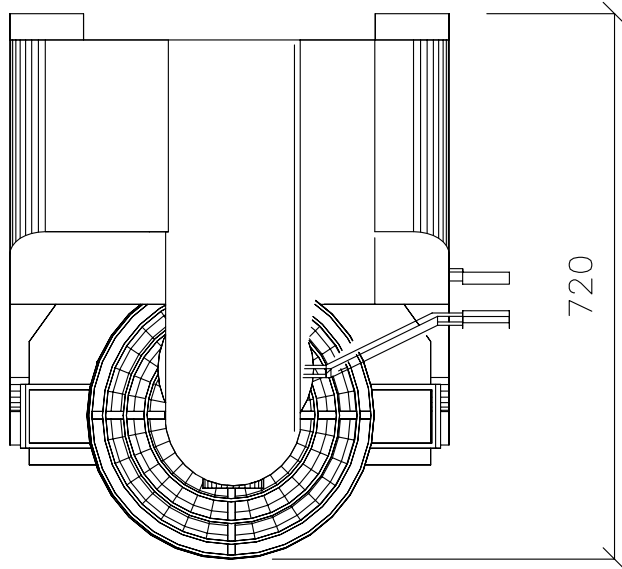


HSM40-F3HE

40 LITRE FLOOR STANDING MIXER
ELECTRICS 400/50/3 1.1kW 6AMPS/PHASE



LOCATION OF M10 x 20m.m. DEEP
FIXING HOLES

