

750m.m. SALAMANDER NATURAL GAS GRILL SAG660-11

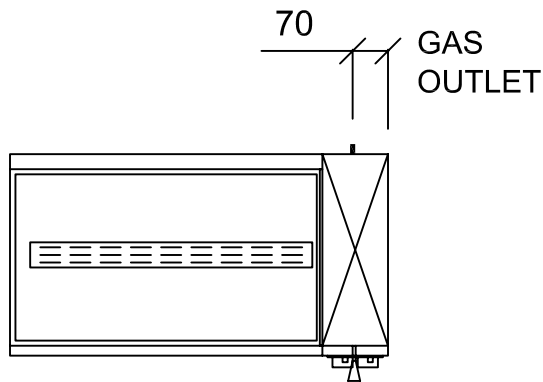
NATURAL GAS SUPPLY 7.4kW 25,250BTU's :-
1/2" SUPPLY. PRESSURE 20mBAR

NOTE:

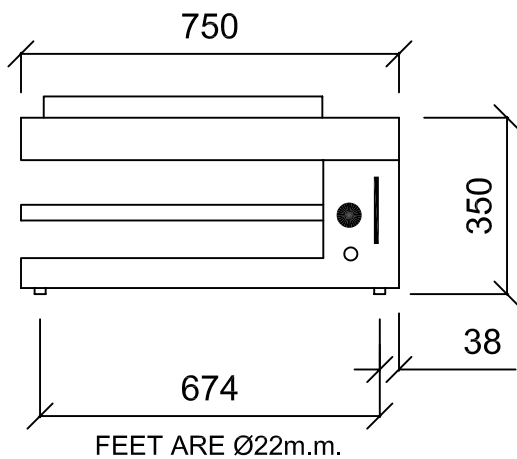
THIS ITEM CAN BE CONVERTED TO LPG GAS
WITH NO CHANGE OF PRODUCT CODE
IF LPG THEN THE FOLLOWING WILL APPLY
1/2" SUPPLY. PRESSURE 35mBAR

SPECIAL NOTE - GAS APPLIANCES

1. INSTALLATION MUST COMPLY WITH CURRENT
GAS SAFETY REGULATIONS AND
BS 6173:2001



2. CATERING AREAS MUST BE ADEQUATELY
VENTILATED TO PROVIDE AIR FOR
COMBUSTION AND REMOVAL OF COMBUSTION
PRODUCTS FROM THE WORKING OPERATION.
THE INSTALLER/USER/SITE MUST CONFIRM
THAT ADEQUATE VENTILATION IS PROVIDED
TO MEET THE REQUIREMENTS OF ALL
GAS APPLIANCES THAT ARE FITTED.



FEET ARE Ø22m.m.

