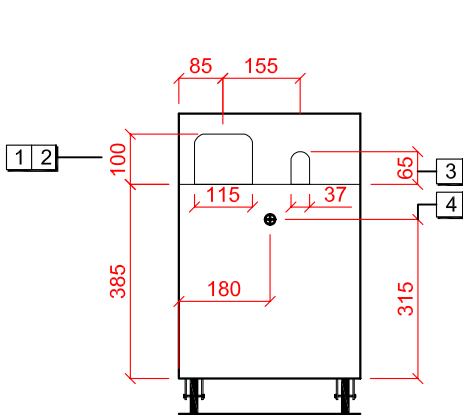
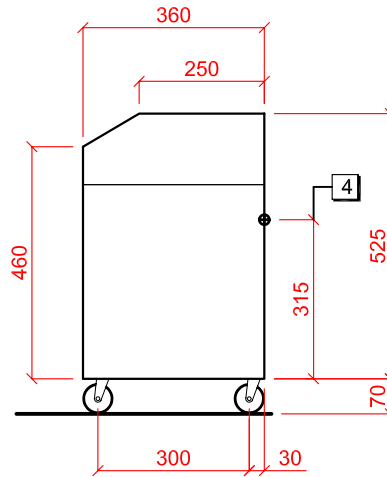


Water Treatment Unit - Duplex vessel version

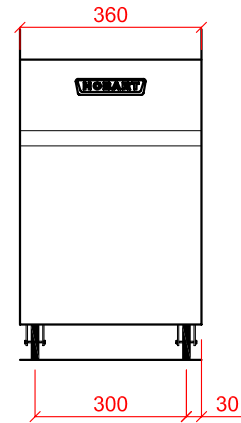
SD-H



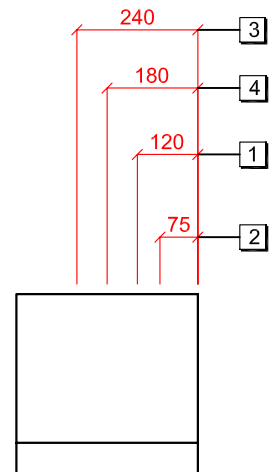
REAR



R.H. SIDE



FRONT



<p>1 2 Water</p>
<p>1. INLET: 1.5 METRE HOSE WITH 3/4" B.S.P. FEMALE TERMINATION 2°C MIN TO 65°C MAX. 2.0 TO 6.0 BAR.</p> <p>2. OUTLET: 1.5 METRE HOSE WITH 3/4" B.S.P. FEMALE TERMINATION</p> <p>WATER SUPPLY TO HAVE INDEPENDENT ISOLATING VALVE</p>

<p>3 4 Drain</p>
<p>3. PUMPED DRAIN: 1/2" O/D SEMI-RIGID 2 METRE HOSE AND THEN TO A 40m.m. TRAPPED STANDPIPE AT 700m.m. A.F.F.L.</p> <p>4. OVERFLOW: 1/2" BARBED FITTING. (THIS IS FOR A VISIBLE SIGN OF ANY OVERFLOW AND SHOULD NOT BE CONNECTED IN SUCH A WAY AS NOT TO BE VISIBLE)</p>

<p>NO Electric Connection required</p>
<p>Notes</p>
<p>NOMINAL SALT CAPACITY 20kg SALT TABLETS ONLY NOT GRANULAR OR POWDER</p>

RIGHT TO MAKE NECESSARY CHANGES IS RESERVED