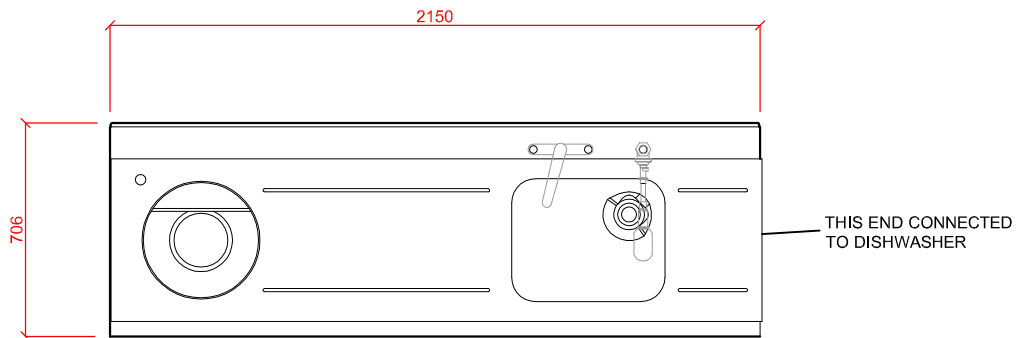
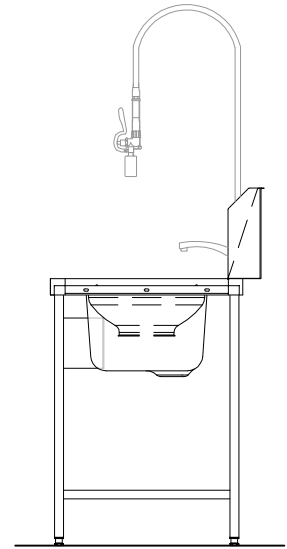
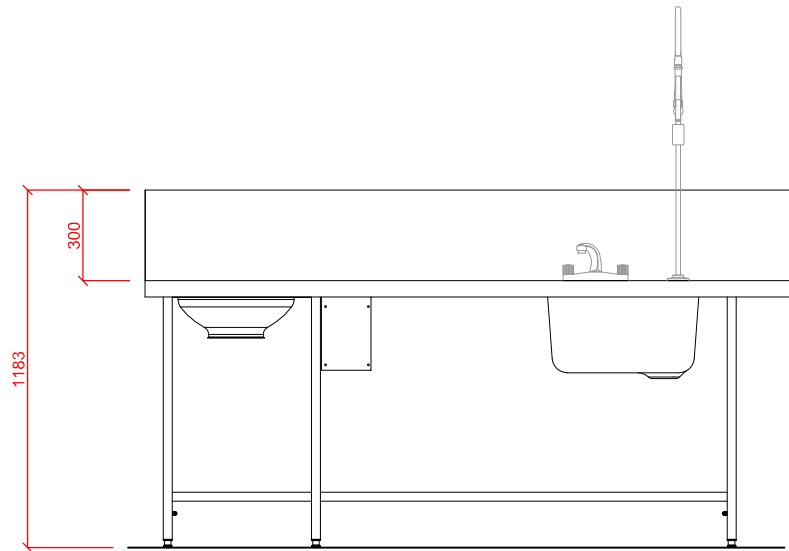


Inlet Tabling complete with Waste Disposal Hopper

SDW2150L/R



INCLUDES SINK BOWL WITH SEPARATE SPLASHBACK,
WASTE DISPOSER HOPPER,
SQUARE TUBULAR LEG FRAME AND SWAGED TOP.
DRILLED TO ACCOMMODATE HOBART 144604-105
PRE-RINSE SPRAY AND SEPARATE SWIVEL MIXER TAP