

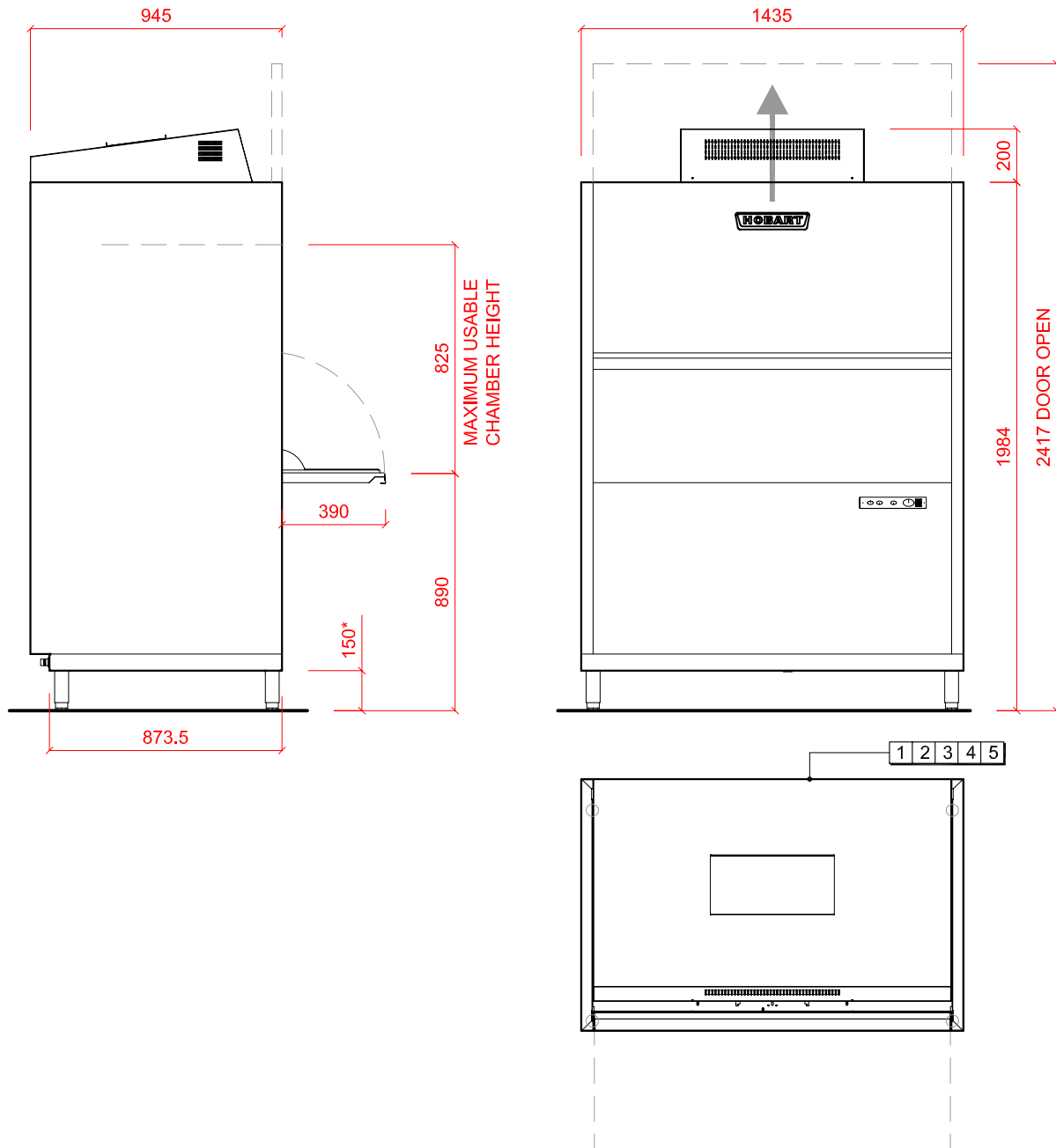
# UTENSIL WASHERS UPT SERIES



HOBART UK, SOUTHGATE WAY, ORTON SOUTHGATE, PETERBOROUGH, PE2 6GN  
TELEPHONE 0844 888 7777  
www.hobartuk.com

## Front Loading Utensil Washer with Exhaust Heat Recovery

UPTC-10



<p><b>1</b> Water</p> <p>22m.m. CONNECTION VIA 1.5 METRE FLEXIBLE HOSE, FEMALE TERMINATION.</p> <p>WATER SUPPLY UP TO 15°C (2° TO 8° CLARK MAX) @ 0.5 TO 10 BAR MAX.</p> <p>INITIAL TANK FILL 130 LITRES.</p> <p>RINSE WATER USAGE 14.0 LITRES PER CYCLE. MAX USAGE 420 LITRES PER HOUR.</p> <p>OUR MACHINES ARE SUPPLIED WITH CLASS 'AA' AIR GAP AS STANDARD.</p> <p>WATER SUPPLY TO HAVE INDEPENDENT ISOLATING VALVE.</p>	<p><b>2</b> Drain</p> <p>DRAIN - 2 METRE FLEXIBLE HOSE TO A 40 m.m. TRAPPED STANDPIPE 800m.m. A.F.F.L.</p> <p>FLOW RATE 30 LITRES PER MINUTE.</p> <p><b>4</b> <b>5</b> Other Services</p> <p>RINSE AGENT HOSE - 2.5 METRE FLEXIBLE.</p> <p>DETERGENT HOSE - 2.5 METRE FLEXIBLE.</p>	<p><b>3</b> Electric Loading</p> <p>24.2kW 400/50/3 + N + E FUSED AT 50AMPS.</p> <p>MACHINE SUPPLIED WITH 1.8 METRES OF CABLE.</p> <p>Notes</p> <p>APPROX WEIGHTS: EMPTY: 305kg's</p> <p>HEIGHTS MARKED * REPRESENT ±25m.m.</p>
---	---	---