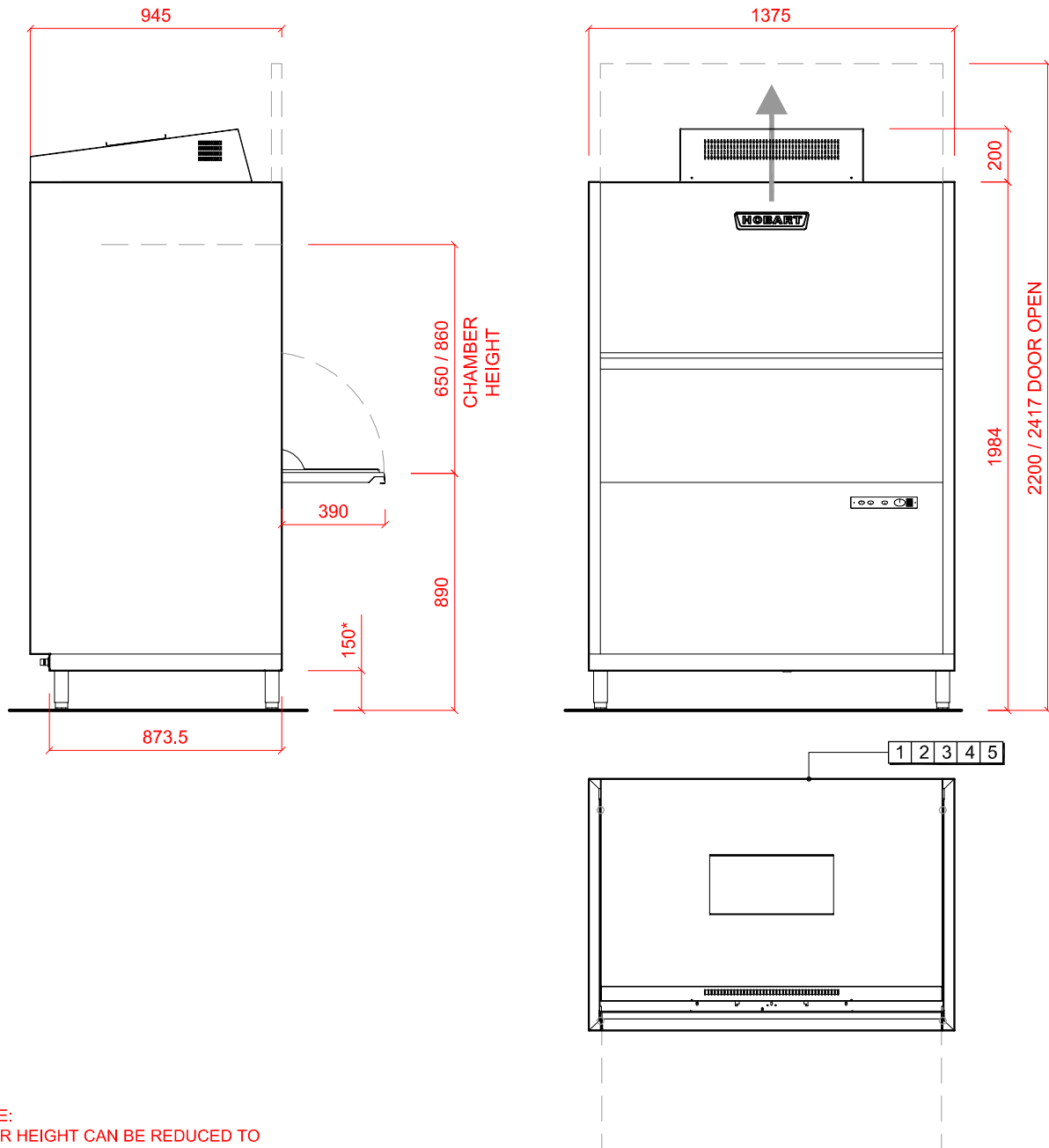


Front Loading Utensil Washer with Drain Heat Recovery and Exhaust Heat Recovery

UXTRC-10N



**NOTE:**  
DOOR HEIGHT CAN BE REDUCED TO 2200 BY ADJUSTING DOOR MECHANISM

<p><b>1</b> Water</p> <p>22m.m. CONNECTION VIA 1.5 METRE FLEXIBLE HOSE, FEMALE TERMINATION.</p> <p>WATER SUPPLY UP TO 15°C (2° TO 8° CLARK MAX) @ 0.5 TO 10 BAR MAX.</p> <p>INITIAL TANK FILL 130 LITRES.</p> <p>RINSE WATER USAGE 8.0 LITRES PER CYCLE. MAX USAGE 240 LITRES PER HOUR.</p> <p>OUR MACHINES ARE SUPPLIED WITH CLASS 'AA' AIR GAP AS STANDARD.</p> <p>WATER SUPPLY TO HAVE INDEPENDENT ISOLATING VALVE.</p>	<p><b>2</b> Drain</p> <p>DRAIN - 2 METRE FLEXIBLE HOSE TO A 40 m.m. TRAPPED STANDPIPE 800m.m. A.F.F.L.</p> <p>FLOW RATE 30 LITRES PER MINUTE.</p> <p><b>4 5</b> Other Services</p> <p>RINSE AGENT HOSE - 2.5 METRE FLEXIBLE.</p> <p>DETERGENT HOSE - 2.5 METRE FLEXIBLE.</p>	<p><b>3</b> Electric Loading</p> <p>15.7kW 400/50/3 + N + E FUSED AT 35AMPS.</p> <p>MACHINE SUPPLIED WITH 1.8 METRES OF CABLE.</p> <p><b>Notes</b></p> <p>APPROX WEIGHTS: EMPTY: 305kg's</p> <p>HEIGHTS MARKED * REPRESENT ±25m.m.</p>
--	--	--