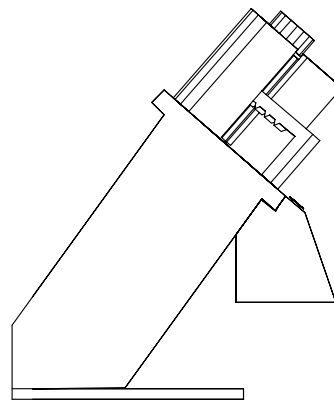
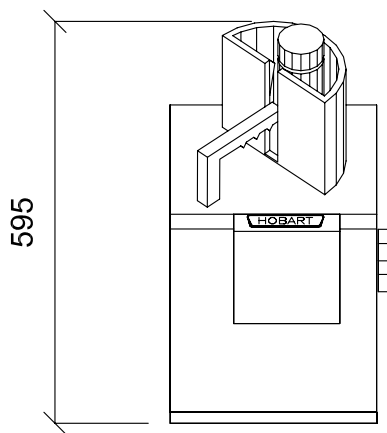
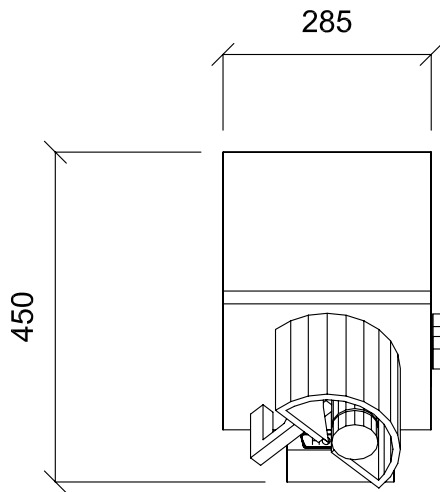


VEGETABLE PREPARATION UNIT

VPU250-18



ELECTRICS:- 400/5/3 0.5kW 10 AMPS/PHASE

