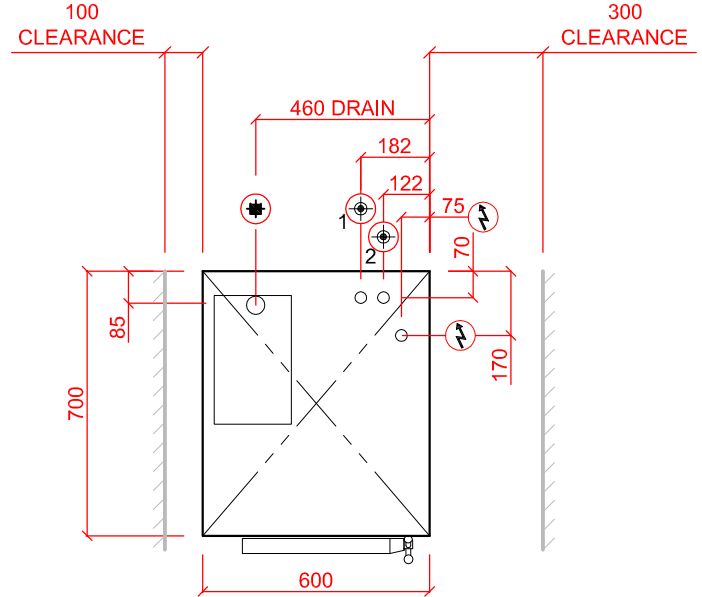
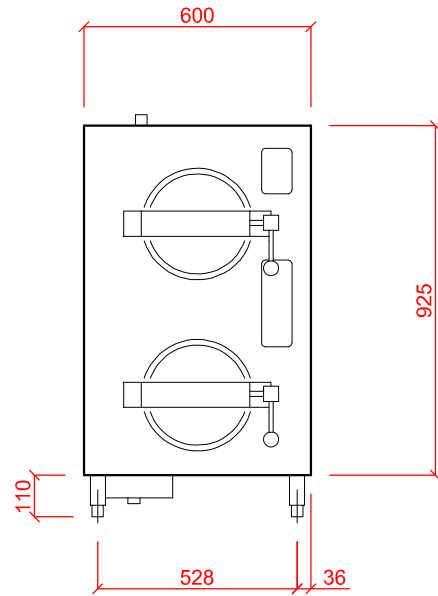
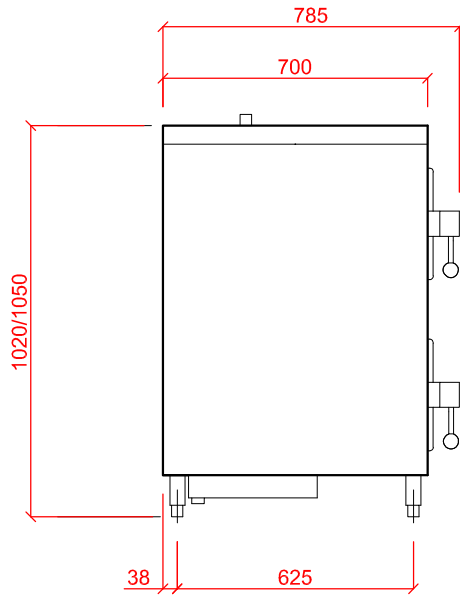


WITH OPTIONAL STAND



PLAN VIEW SHOWING SERVICE
LOCATIONS AND RECOMENDED
CLEARANCES



Device Number	Description	Electric Loading	Dimensions (mm.) (w x d x h)
2228B-10	Pressure Steamer Double Chamber to suit 2 x 1/2 GN pan 100mm deep.	400/50/3 + N + E 27.0kW (switchable to 18kW) Fuse at 50A/phase(32A/phase)	600 x 700 x 1035

- ELECTRICAL CONNECTION
 SOFT WATER INLET 3/4" BSP
 WATER INLET 3/4" BSP
 DRAIN 1" BSP
 EST WEIGHT 88Kgs
- 1 Water Inlet Pressure min 1.7bar max 10bar
 Water supply is via internal WRAS approved valve.

SPECIAL NOTE:

RECOMMENDED TO BE USED WITH A WATER TREATMENT SYSTEM .

COOKING PRESSURE - 0, 0.5 and 1.0 Bar

THERMAL RADIATION - APPROXIMATELY 1.5 kW AT DOOR, BUT REMAINDER NEGLIGIBLE AS MACHINE HAS INSULATED PANELS.