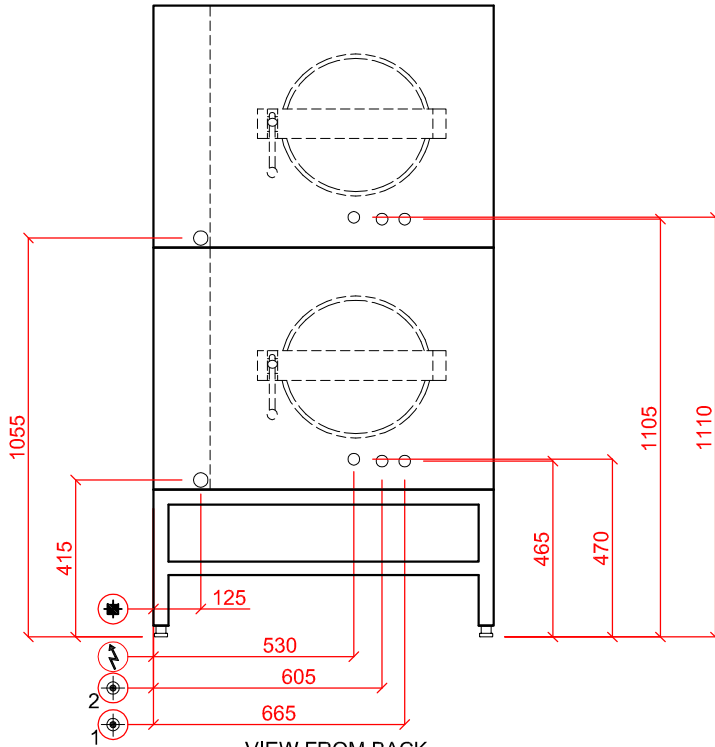
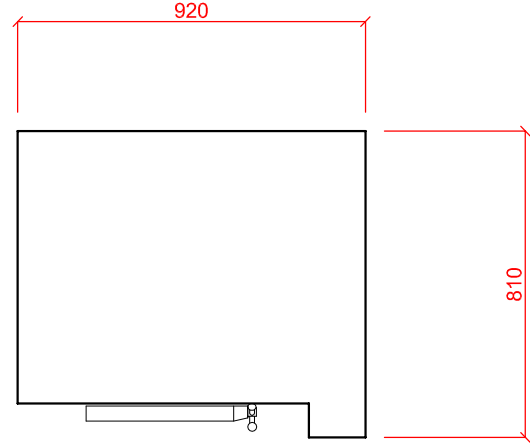


PRESSURE STEAMERS

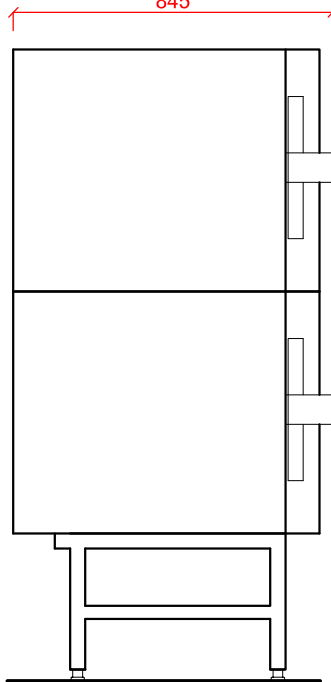
305TB2-10



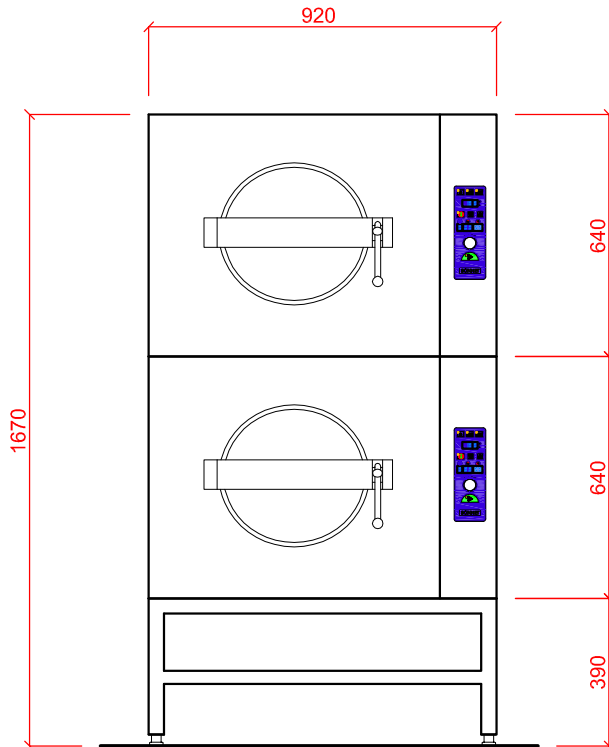
VIEW FROM BACK  
ALL SERVICES ENTER FROM BACK OF UNIT  
845



PLAN ELEVATION



SIDE ELEVATION



FRONT ELEVATION

Device Number	Description	Electric Loading	Dimensions (mm.) (w x d x h)
305TB2-10	Twin Stacked Pressure Steamer Each with Single Chamber to suit GN 1/1	400/50/3 + N + E - 2 x 27.0kW (switchable to 2 x 18kW) Fuse at 50A/phase(32A/phase)	920 x 810 x 1670

- ELECTRICAL CONNECTION    
 1 SOFT WATER INLET 3/4" BSP    
 2 WATER INLET 3/4" BSP    
 DRAIN 1" BSP    
 EST WEIGHT 200Kgs
- Water Inlet Pressure min 1.7bar max 10bar  
Water supply is via internal WRAS approved valve.

**SPECIAL NOTE:**

**RECOMMENDED TO BE USED WITH A WATER TREATMENT SYSTEM .**

**COOKING PRESSURE - 0, 0.5 and 1.0 Bar**

**THERMAL RADIATION - APPROXIMATELY 1.5 kW AT DOOR, BUT REMAINDER NEGLIGIBLE AS MACHINE HAS INSULATED PANELS.**