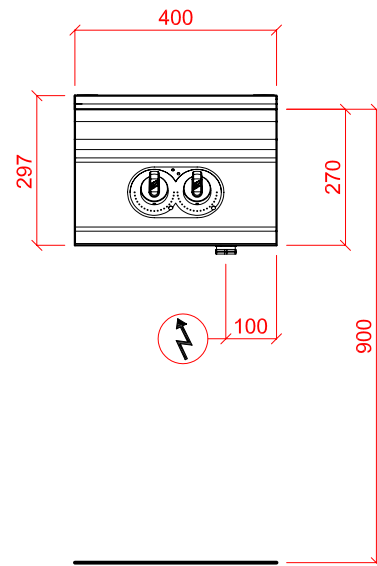
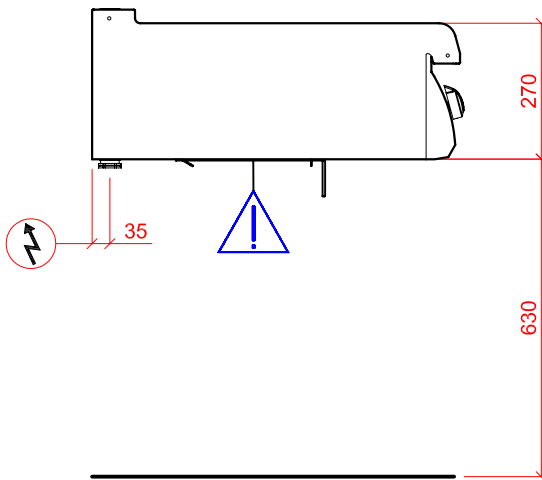
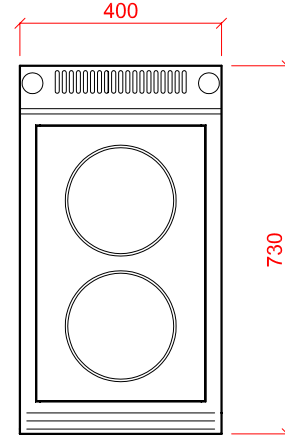
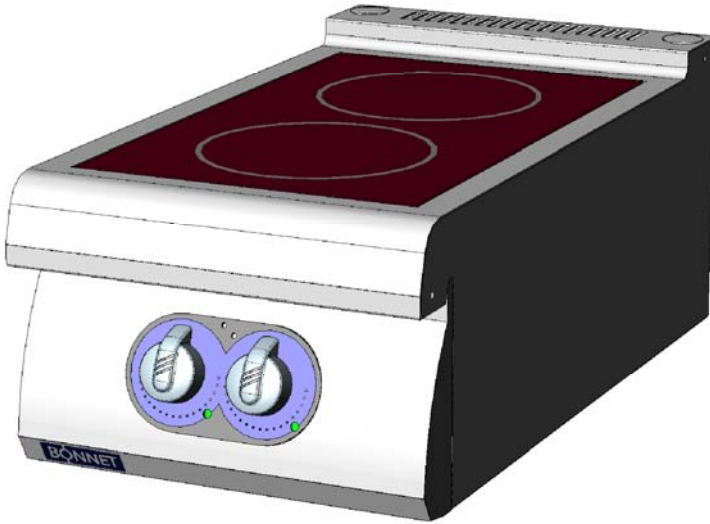


700 SERIES MODULAR COOKING EQUIPMENT
OPTIMUM RANGE

700 Series - Electric Hobs


B107FIN4DE-40



Device Number	Description	Electric Loading	Dimensions (m.m.) (w x d x h)
B107FIN4DE-40	Twin Induction Hob	7.0kW (400 / 50 / 3)	400 x 730 x 270

 PROVIDE A 1.5 METRE FREE TAIL END CABLE.

SPECIAL NOTE:
ELECTRICAL INSTALLATIONS SHOULD COMPLY WITH CURRENT BS REGULATIONS.

 **AIR INLET**
FILTER DIMENSIONS - 250m.m. x 250m.m.,
ENVIRONMENT - AMBIENT TEMPERATURE ≤ 32°C

PLOT SCALE: 1:15