

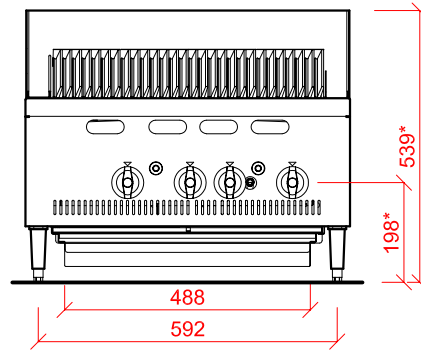
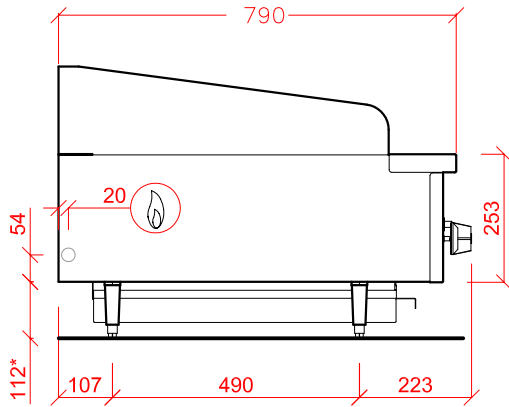
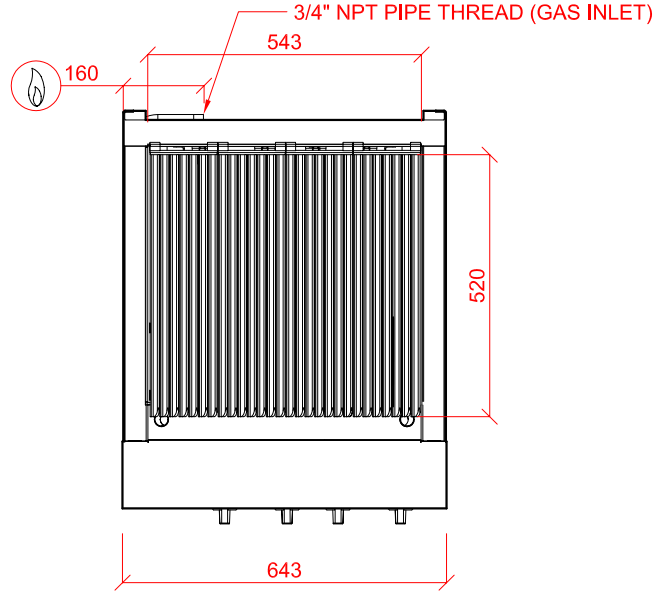
COOKING EQUIPMENT
CHARBROILER RANGE



HOBART UK,
SOUTHGATE WAY,
ORTON SOUTHGATE,
PETERBOROUGH
PE2 6GN
TELEPHONE - 0844 888 7777
www.hobartuk.com

Charbroiler Range - Natural Gas

BCB600-1



Device Number	Description	Gas	Dimensions (m.m.) (w x d x h)
BCB600-1	GAS CHARBROILER - (Nat Gas). (WITH PIEZO IGNITION).	14.8kW / (50,520BTU/H)	643 x 790 x 539* * ± 12m.m.

22m.m. CONNECTION, 20mBAR

SPECIAL NOTE:
INSTALLATION MUST COMPLY WITH CURRENT GAS SAFETY REGULATIONS AND BS 6173

UNIT WIEGHT - 86kg

PLOT SCALE: 1:15