

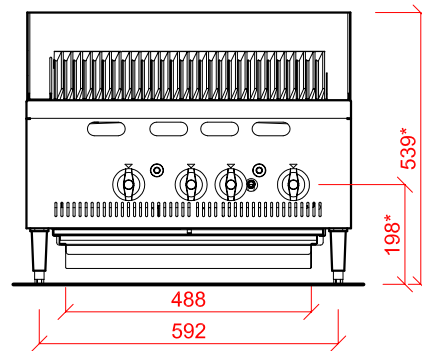
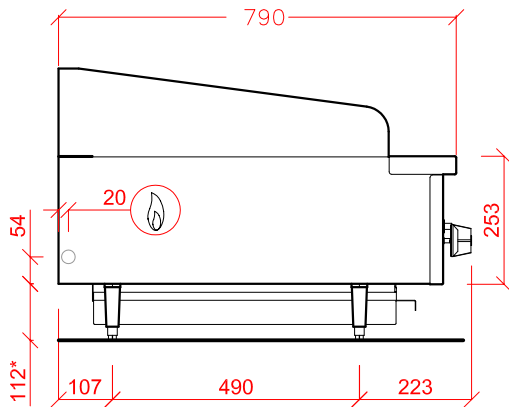
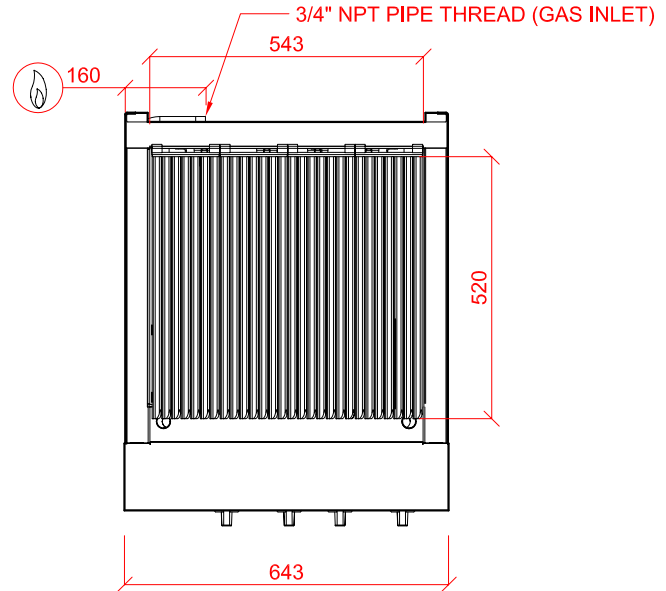
COOKING EQUIPMENT
CHARBROILER RANGE

HOBART
Cooking
Solutions

HOBART UK,
SOUTHGATE WAY,
ORTON SOUTHGATE,
PETERBOROUGH
PE2 6GN
TELEPHONE - 0844 888 7777
www.hobartuk.com

Charbroiler Range - LPG Gas

BCB600-2



Device Number	Description	Gas	Dimensions (m.m.) (w x d x h)
BCB600-2	GAS CHARBROILER - (LPG Gas). (WITH PIEZO IGNITION).	14.8kW / (50,520BTU/H)	643 x 790 x 539* * ± 12m.m.

 22m.m. CONNECTION, 37mBAR

SPECIAL NOTE:
INSTALLATION MUST COMPLY WITH CURRENT GAS SAFETY REGULATIONS AND BS 6173

UNIT WIEGHT - 86kg

PLOT SCALE: 1:15