

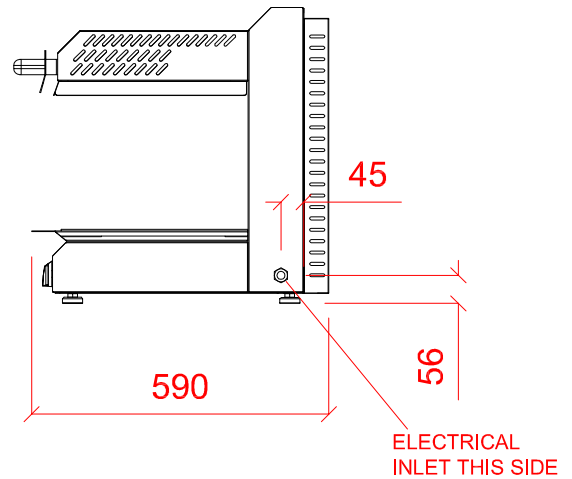
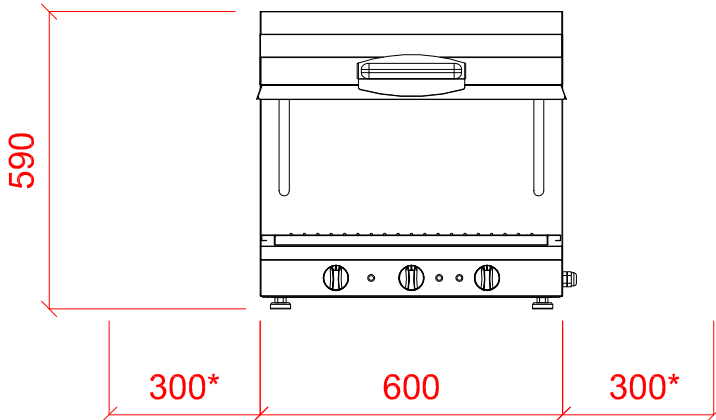
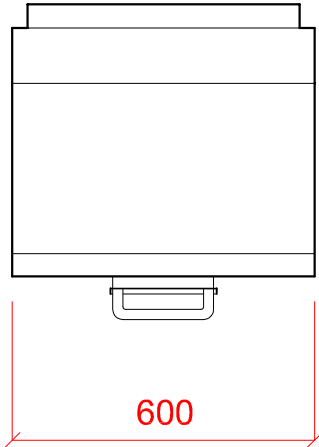
SALAMANDER GRILL



HOBART UK,
SOUTHGATE WAY,
ORTON SOUTHGATE,
PETERBOROUGH
PE2 6GN
TELEPHONE - 0844 888 7777
www.hobartuk.com

Salamander - Electric

BS605C



NOTE:
DIMENSIONS SHOWN THUS * ARE MINIMUM CLEARANCES TO ANYTHING SUSCEPTIBLE TO HEAT
IT IS RECOMMENDED THAT THE SALAMANDER IS NOT FITTED OVER A HEAT SOURCE.

Device Number	Description	Electric Loading	Dimensions (m.m.) (w x d x h)
BS605C	ELECTRIC SALAMANDER WITH RAPID HEAT CERAMIC ELEMENT AND ENERGY SAVING TIMER - COOKING GRID AREA 495 x 375.	5.0Kw 230/50/1 FUSE AT 25 AMPS	600 x 590 x 590

WEIGHT - 44kg

PLOT SCALE: 1:15