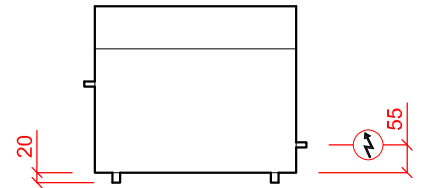
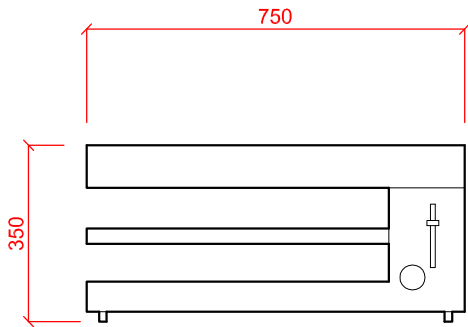
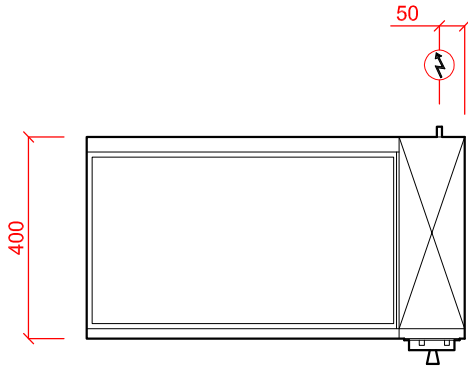


SALAMANDER GRILLS

ELECTRIC SALAMADER GRILLS

SAE650-11



Device Number	Description	Electric Loading	Dimensions (m.m.) (w x d x h)
SAE650-11	Salamader Grill With Adjustable Height Grilling Shelf, Electric.	4.0kW 400/50/3 + N + E (FUSE AT 10A)	750 x 400 x 350

 ELECTRICAL CONNECTION

Weight - 33kg

PLOT SCALE: 1:15